



TERZANI
LA LUCE PENSATA



PreciousDesign



Index

- 158 *Anastacha*
- 088 *Angel Falls*
- 078 *Argent*
- 008 *Atlantis*
- 172 *Bobino*
- 124 *Bond*
- 048 *Etoile*
- 094 *Frame*
- 148 *Glamour*
- 134 *G.r.a*
- 168 *Hook*
- 184 *Hugo*
- 102 *Iceberg*
- 066 *I Lucci Argentati*
- 176 *Kristal-Diam*
- 142 *Magdalena*
- 058 *Mizu*
- 106 *Orten'zia*
- 034 *Sea Urchin*
- 028 *Soscik*
- 020 *Stream*
- 042 *Tresor*
- 164 *Untitled*
- 180 *Zig-Zag*





Precious

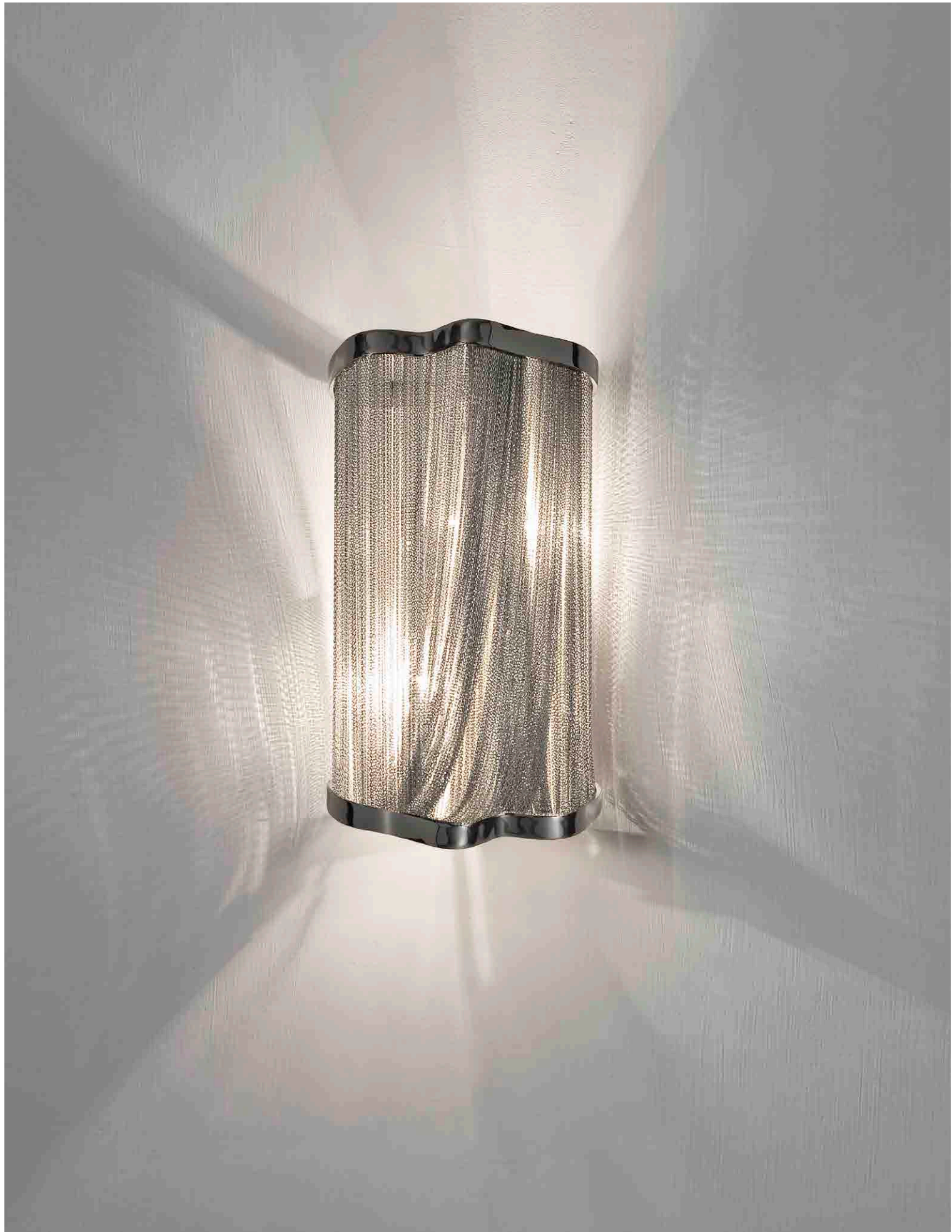
Drawing from the wealth of knowledge and experience of Terzani craftsmen, Precious Project truly elevates light to an art form. Using a unique combination of precious materials, artisan craftsmanship, respect for tradition and cutting edge technology, Precious Project includes unique, luxurious heritage pieces that define a new period of Italian craftsmanship.

Atlantis, a Precious *Wave*.

Seemingly alive, Atlantis shimmering light creates a vibrant source of energy. Its mesmerizing, organic effect is created by hundreds of illuminated lengths of draped, nickel chain. Like water in the ocean, Atlantis chains appear liquid, cascading over its gloss nickel bands and falling down towards the abyss before turning back into itself. Atlantis is composed of almost three miles of chain, meticulously hand-crafted by master Italian artisans. Design Barlas Baylar.

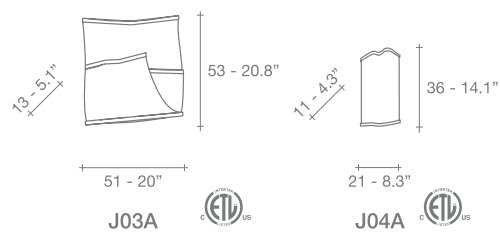
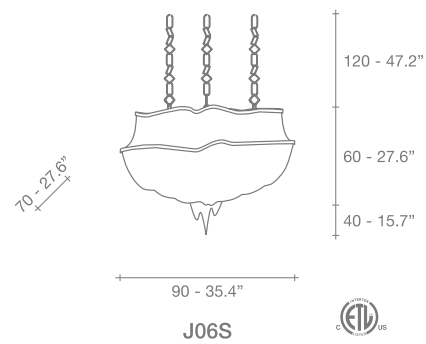
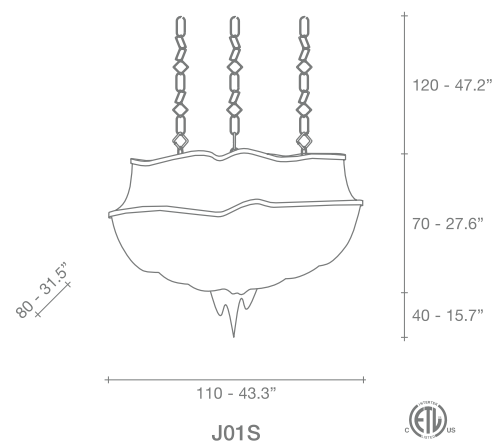
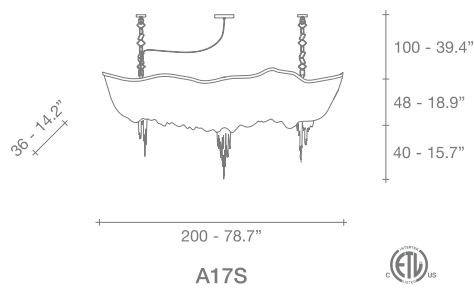
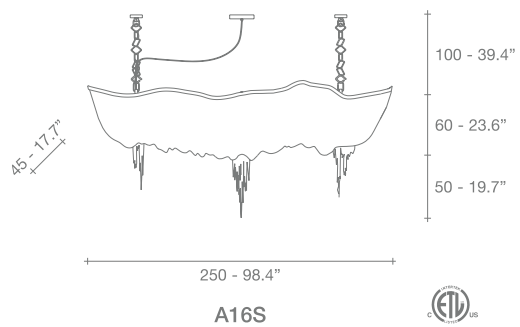
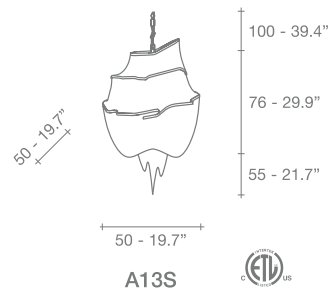
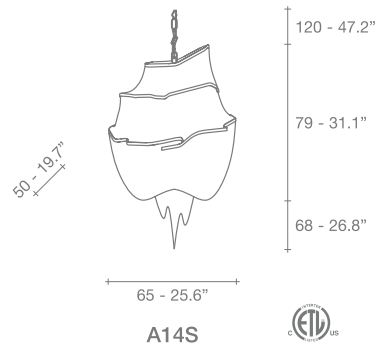
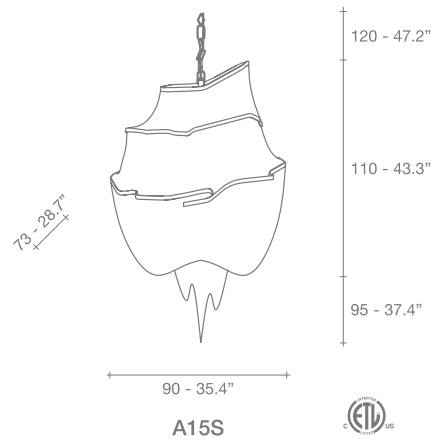












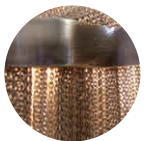
NICKEL



BLACK NICKEL



GOLD



BRONZE

	A15S	A14S	A13S	A16S	A17S	A18S	J01S	J06S	J03A	J04A
230V	HALOGEN ES 8X42W E14 (=8x60W)	HALOGEN ES 8X42W E14 (=8x60W)	HALOGEN ES 6X42W E14 (=6x60W)	HALOGEN ES 10X42W E14 (=10x60W)	HALOGEN ES 10X42W E14 (=10x60W)	HALOGEN ES 8X42W E14 (=8x60W)	HALOGEN ES 10X42W E14 (=10x60W)	HALOGEN ES 8X42W E14 (=8x60W)	HALOGEN ES 4X28W E14 (=4x40W)	HALOGEN ES 2X42W E14 (=2x60W)
120V	FLAME CA 10 8X60W E12	FLAME CA 10 8X60W E12	FLAME CA 10 6X60W E12	FLAME CA 10 10X60W E12	FLAME CA 10 10X60W E12	FLAME CA 10 8X60W E12	FLAME CA 10 10X60W E12	FLAME CA 10 8X60W E12	FLAME CA 10 4X40W E12	FLAME CA 10 2X60W E12



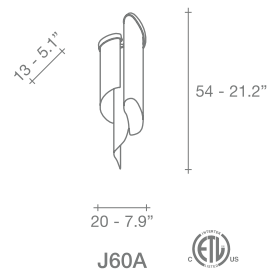
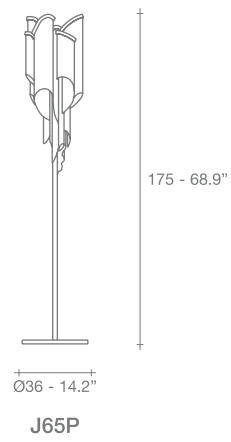
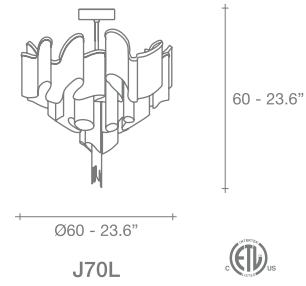
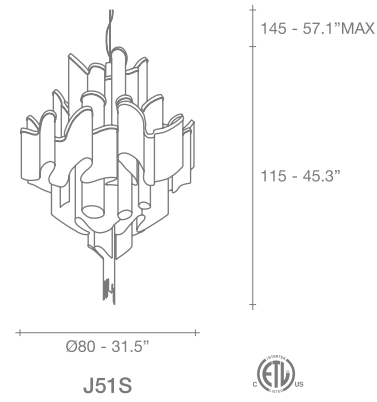
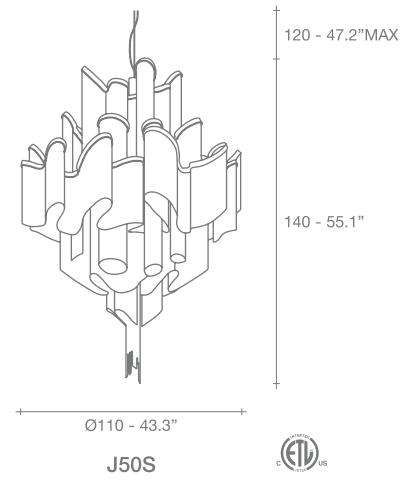
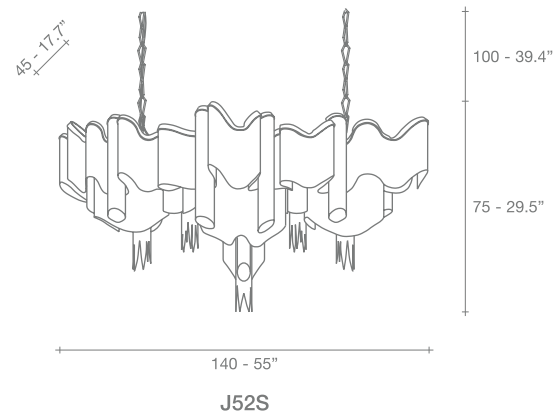
Stream, Iridescent *Light.*

A stunning design from Christian Lava, Stream is an impressive presence in any room. Stream's design exploits the physical characteristics of the materials used to envelop a room in a unique, immersive light. Here, over 7 kilometers of metal chain appear to flow down from the undulating, nickel-plated frame. These cascading tiers project a streaking, yet tranquil, shadow throughout the room. Design Christian Lava.



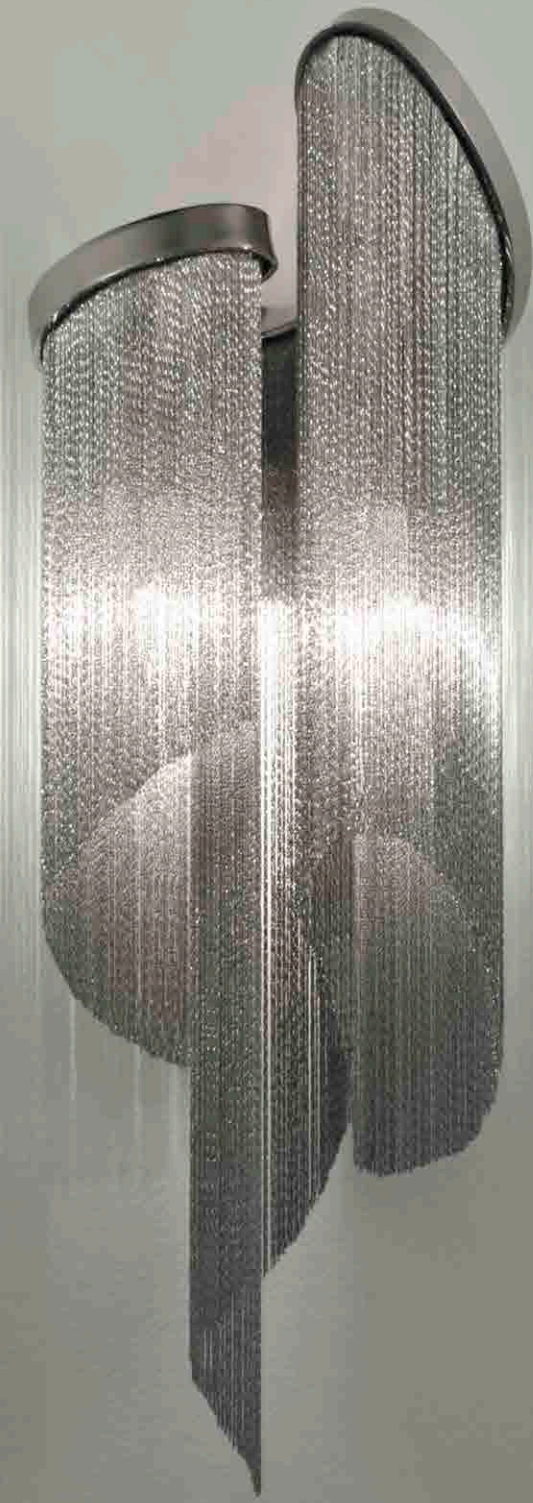






NICKEL

Model	Light Type	Power	Quantity
J52S	230V HALOGEN ES 12X33W G9 (=8X40W)	35W GU10	3
	120V HALOGEN JCD 12X35W G9	35W GU10	3
J50S	230V HALOGEN ES 20X28W E14 (=20X40W)	35W GU10	3
	120V HALOGEN MR20 3X35W GU10	35W GU10	3
J51S	230V HALOGEN ES 18X28W E14 (=18X40W)	35W GU10	3
	120V FLAME CA 10 20X40W E12	35W GU10	3
J70L	230V HALOGEN ES 8X33W G9 (=8X40W)	35W GU10	3
	120V HALOGEN JCD 8X35W G9	35W GU10	3
J65P	230V HALOGEN ES 6X28W E14 (=6X40W)	35W GU10	3
	120V FLAME CA 10 6X40W E12	35W GU10	3
J60A	230V HALOGEN ES 2X42W E14 (=2X60W)	35W GU10	2
	120V FLAME CA 10 2X60W E12	35W GU10	2

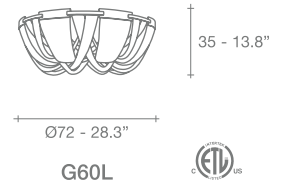
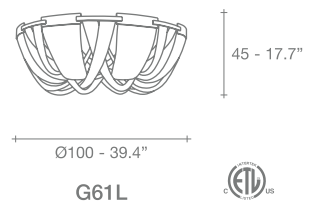
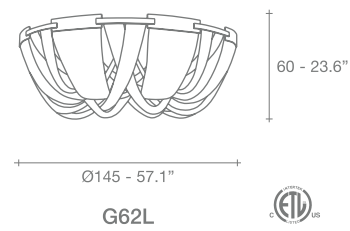
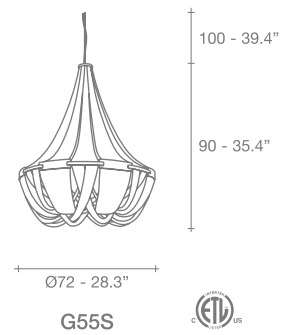
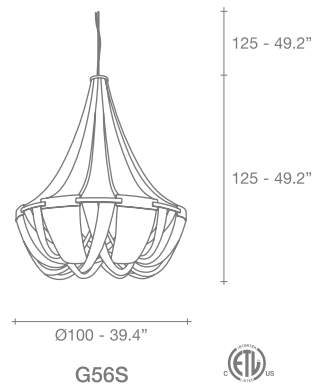
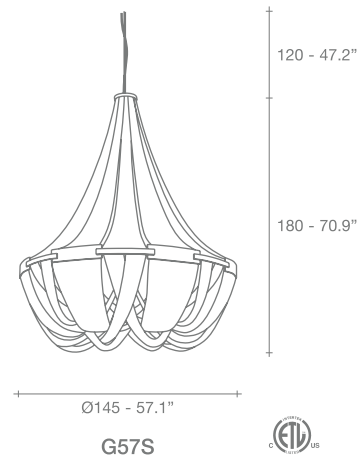


Soscik, Classic form, *Modern look.*

Reinventing the classics. With Soscik, Terzani combines traditional, artisan techniques with cutting edge technology to give the traditional chandelier a modern update. Created by interlacing metal chain over a nickel-plated frame, Soscik creates a dramatic and romantic effect, while still being able to compliment today's modern luxury. Available as a chandelier or a ceiling lamp, Soscik proves that modern design does not have to sacrifice luxury. Design Nicolas Terzani.





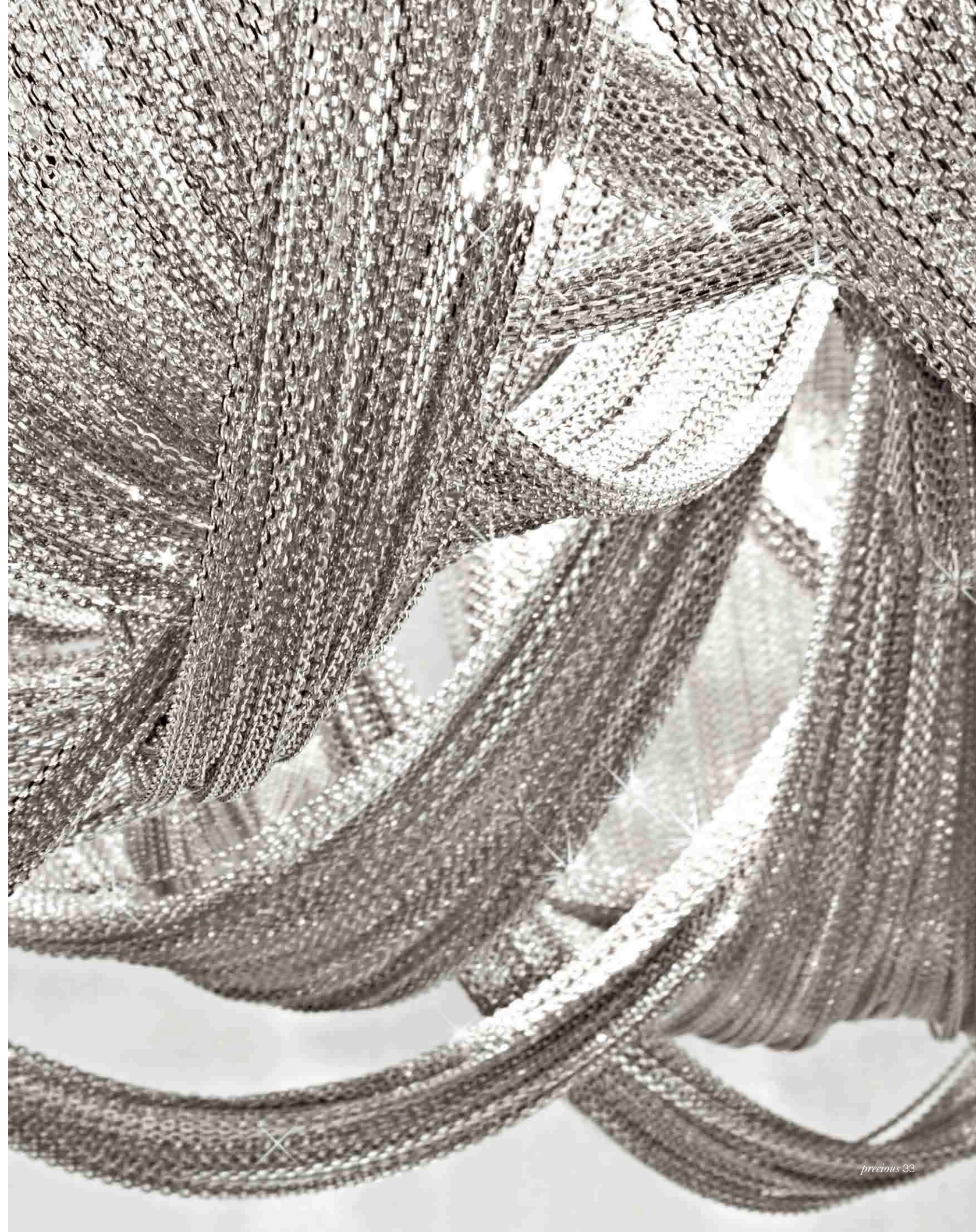


NICKEL



BRONZE

	G57S	G56S	G55S	G62L	G61L	G60L
230V	HALOGEN ES 14X33W G9 (=14X40W)	HALOGEN ES 12X33W G9 (=12X40W)	HALOGEN ES 8X33W G9 (=8X40W)	HALOGEN ES 12X33W G9 (=12X40W)	HALOGEN ES 10X33W G9 (=10X40W)	HALOGEN ES 8X33W G9 (=8X40W)
120V	HALOGEN JCD 14X35W G9	HALOGEN JCD 12X35W G9	HALOGEN JCD 8X50W G9	HALOGEN JCD 12X35W G9	HALOGEN JCD 10X35W G9	HALOGEN JCD 8X35W G9



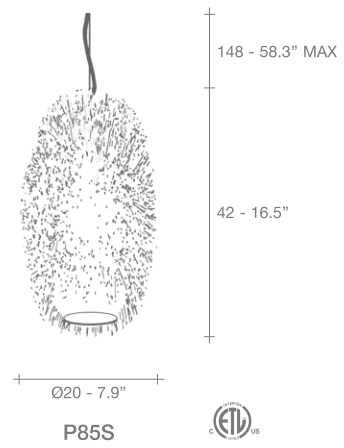
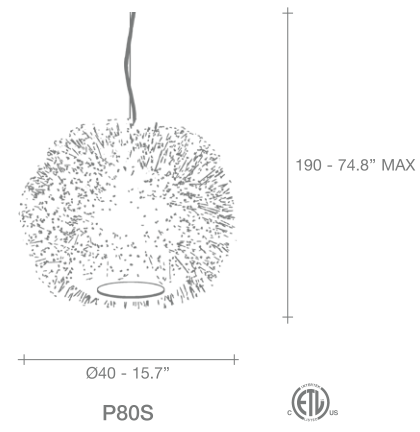
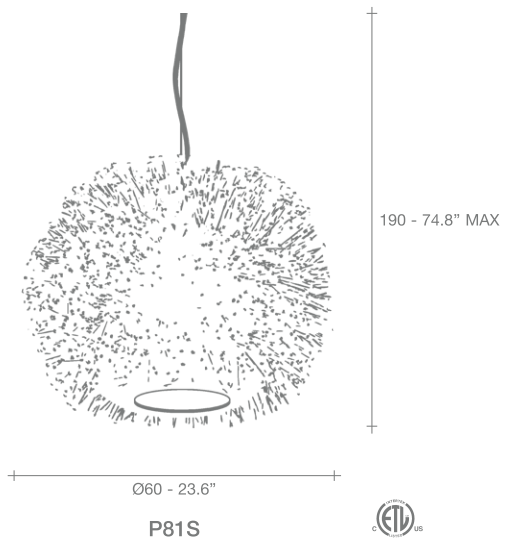
Sea Urchin, Dress your *Light.*

Pushing the boundaries of design and artistry; drawing from the haute couture designer's unique universe, Sea Urchin features over 1500, translucent crystal "pins" seemingly suspended around the bulb, casting a dynamic shadow around the room. The perfect accessory for your well-curated home, Sea Urchin is available in different finishes in both round and oblong versions. Design Maurizio Galante.

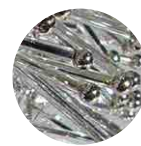








NICKEL
SILVER
WHITE









NICKEL
SILVER
SILVER



NICKEL
SILVER
SWAROVSKI



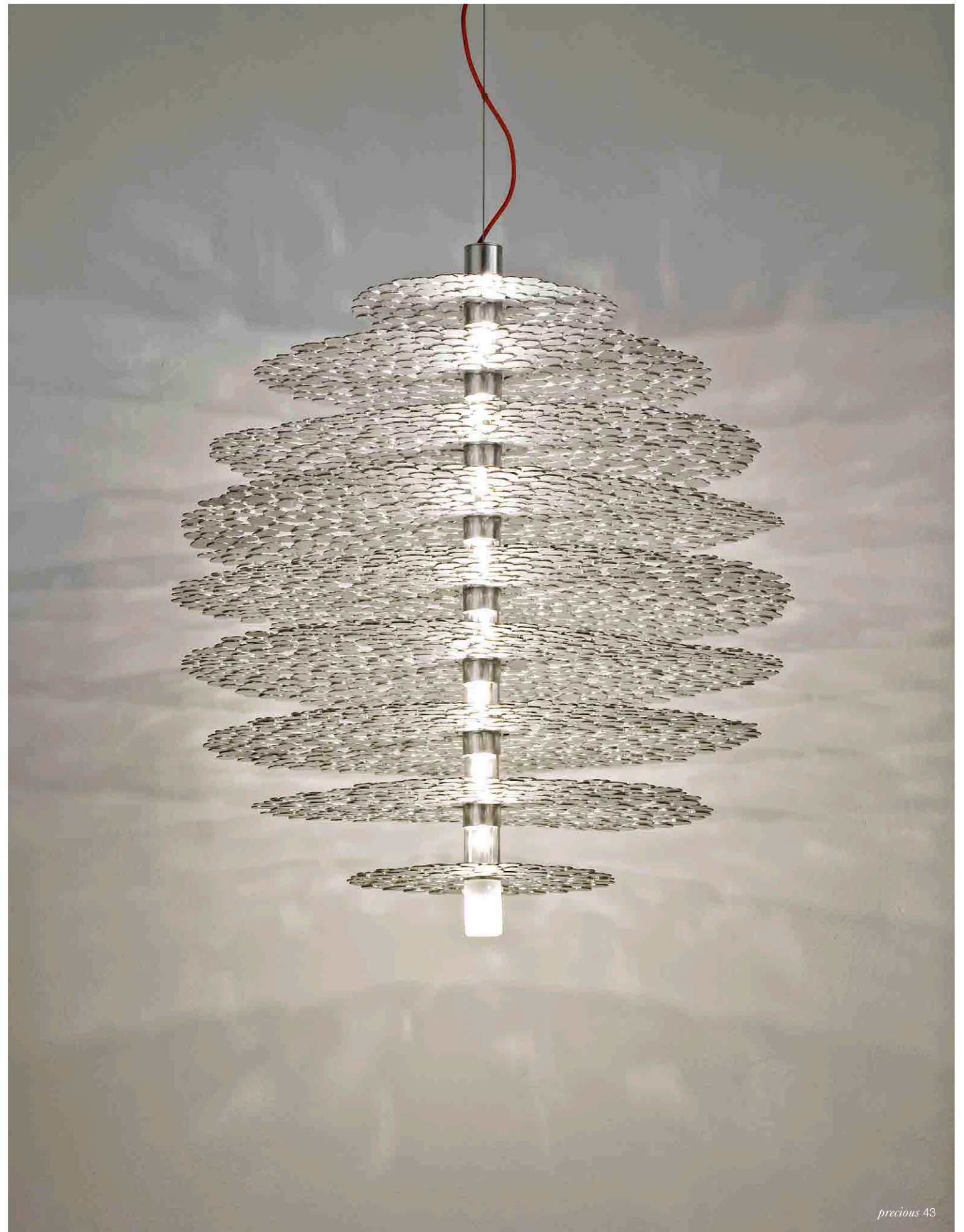
GOLD
GOLD

	P81S	P80S	P85S
230V	 HALOGEN ES 70W E27 (=100W)	 HALOGEN ES 70W E27 (=100W)	 HALOGEN ES 42W E14 (=60W)
120V	 HALOGEN ECO A19 72W E26 (=100W)	 HALOGEN ECO A19 72W E26 (=100W)	 KX-2000 T3 40W E12

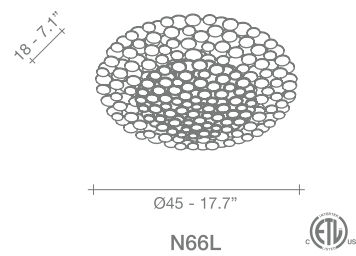
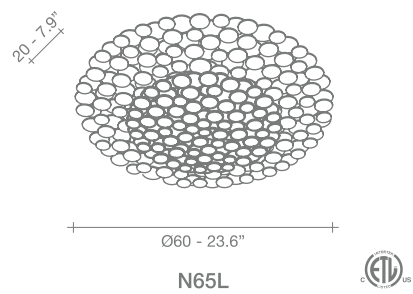
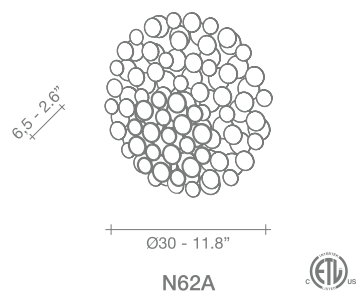
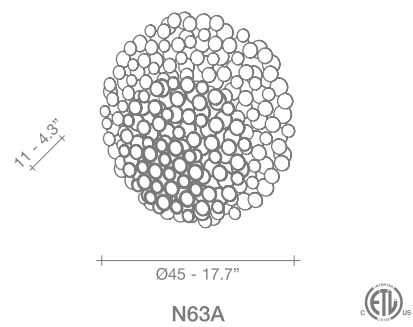
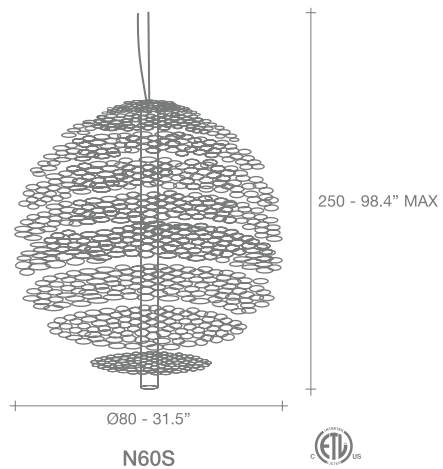


Tresor, a Wealth *of Light.*

An impeccable addition to any space, Tresor's hand-made design and precious metal "coins" create scintillating halos of light. Recalling discovered treasure, the layers of gold or silver leaf create a rich, luxurious light. Available in a range of sizes, including wall sconces and pendants, Tresor has an elegance that is truly priceless. Design Jean François Crochet.







	N60S	N63A	N62A	N65L	N66L
230V	HALOGEN ES 9X33W G9 (=9X40W)	HALOGEN ES 2X48W G9 (=2X60W)	HALOGEN ES 48W G9 (=60W)	HALOGEN ES 6X33W G9 (=6X40W)	HALOGEN ES 6X33W G9 (=6X40W)
120V	HALOGEN JCD 9X35W G9	HALOGEN JCD 2X50W G9	HALOGEN JCD 50W G9	HALOGEN JCD 6X35W G9	HALOGEN JCD 6X35W G9

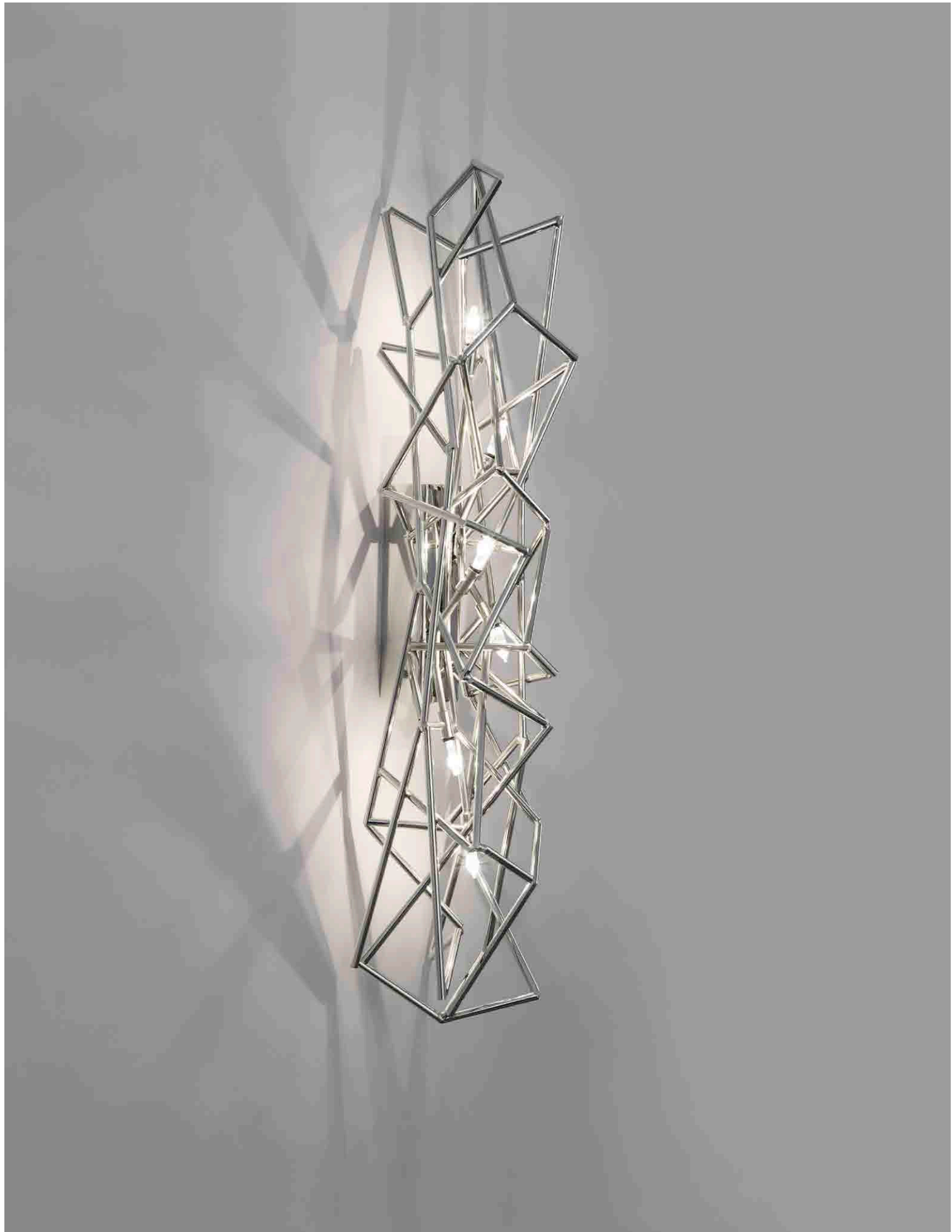


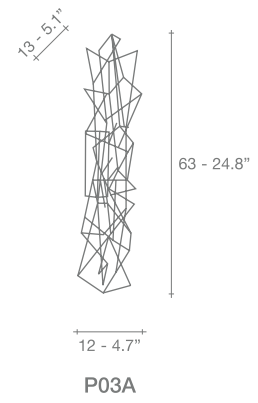
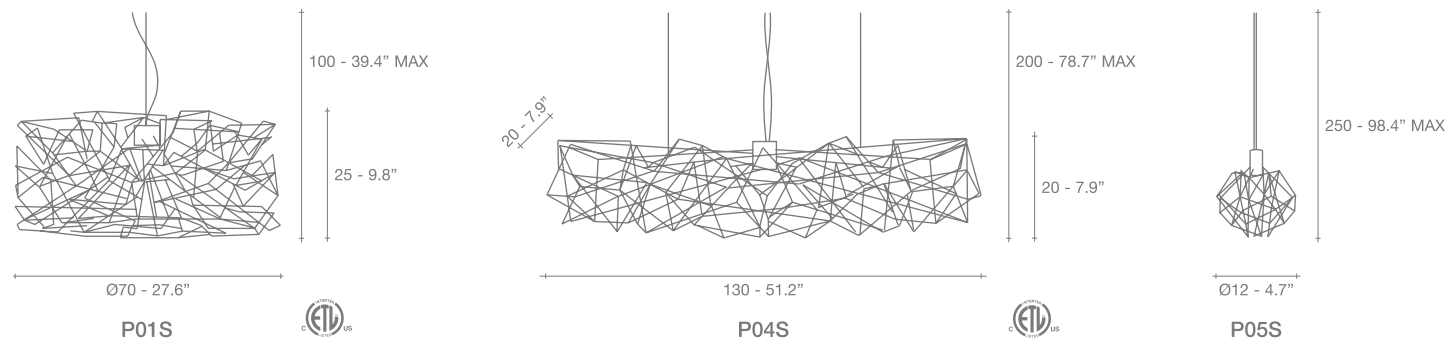
Etoile,
Twinkling in an
indoor Sky.

Etoile's intricate network of intersecting nickel lines recalls constellations in a clear night sky. Strategically placed bulbs cast a starry light, twinkling as viewers move around the pendant. Through projecting these complex patterns throughout the room, Etoile casts a heavenly glow in any space. Design Christian Lava.









	P01S		P04S	P05S	P03A
230V	HALOGEN 12V 8X10W G4	+	HALOGEN 12V 8X20W G4	HALOGEN 12V 20W G4	HALOGEN 12V 6X10W G4
120V	XENON BI-PIN 12V T3 8X10W G4	+	XENON BI-PIN 12V T3 8X20W G4	XENON BI-PIN 12V T3 20W G4	XENON BI-PIN 12V T3 6X10W G4





Design

At Terzani, we are committed to ushering in the next generation of craftsmen. Working with some of the innovative and exciting designers, Design Project is a collection that preserves the artisan traditions that have defined the Terzani brand and combines them with cutting edge technological advances. The balance created by this process results in fresh, exciting designs that speak to generations of design aficionados.

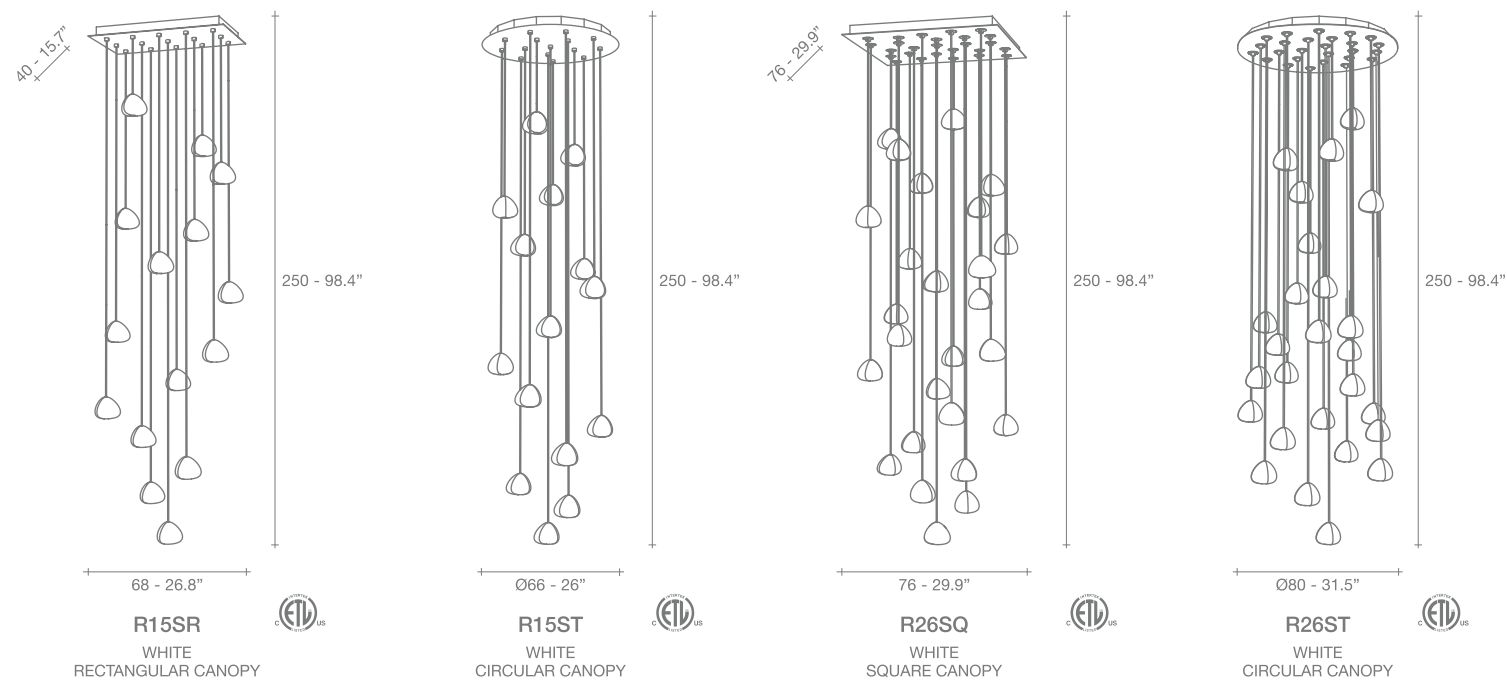
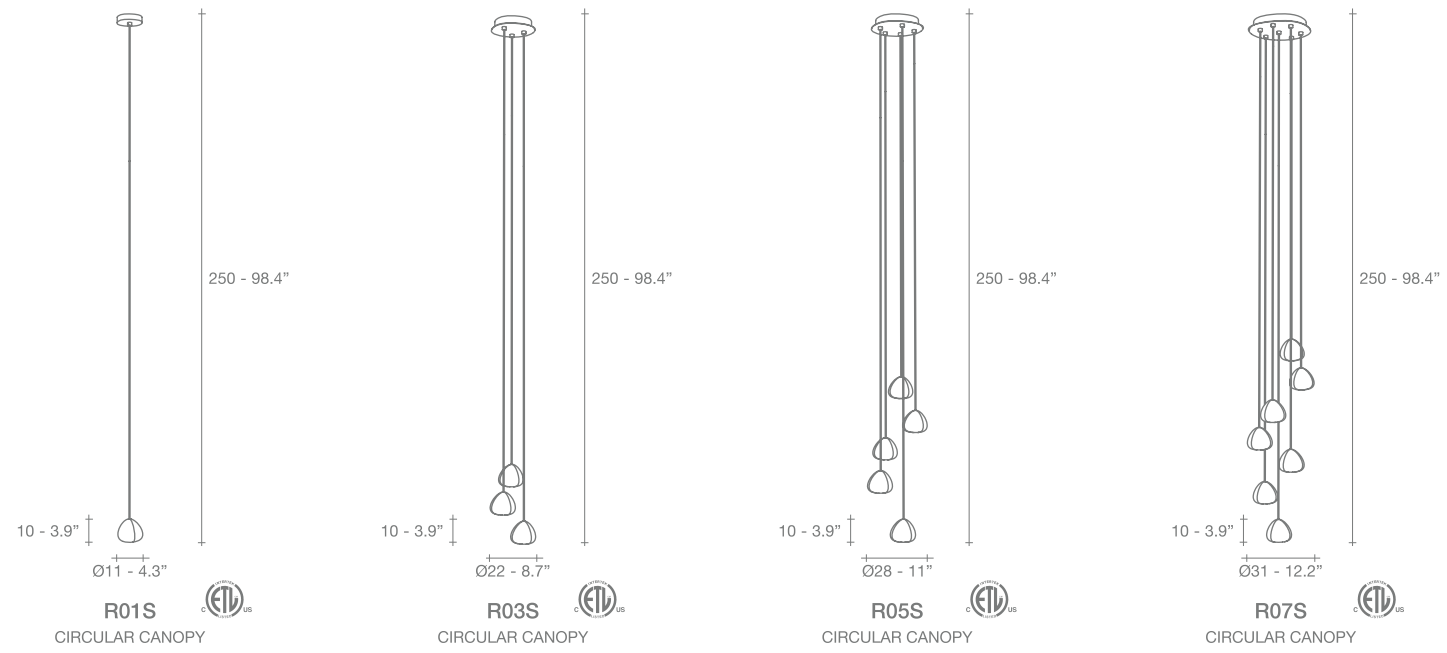
Mizu, Flowing *Light.*

Inspired by the tranquil and mesmerizing light refractions created by water, Mizu is a new, customizable pendant light from Terzani. Like water droplets, no two Mizu are alike, each crystal shape is unique and made meticulously by hand. Using only the clearest crystal (24% lead), Mizu perfectly emulates water's refraction of light, casting amazing patterns around the room, reminiscent of flowing water. Design Nicolas Terzani.









230V	R01S HALOGEN 12V 10W G4	R03S HALOGEN 12V 3X10W G4	R05S HALOGEN 12V 5X10W G4	R07S HALOGEN 12V 7X10W G4	R15SR HALOGEN 12V 15X10W G4	R15ST HALOGEN 12V 15X10W G4	R26SQ HALOGEN 12V 26X10W G4	R26ST HALOGEN 12V 26X10W G4
120V	XENON BI-PIN 12V T3 10W G4	XENON BI-PIN 12V T3 3X10W G4	XENON BI-PIN 12V T3 5X10W G4	XENON BI-PIN 12V T3 7X10W G4	XENON BI-PIN 12V T3 15X10W G4	XENON BI-PIN 12V T3 15X10W G4	XENON BI-PIN 12V T3 26X10W G4	XENON BI-PIN 12V T3 26X10W G4



I Lucci Argentati, School of *Light.*

I Lucci Argentati draws from nature to create a whimsical, yet modern light. Recalling a school of fish darting through freshwater, it creates a mesmerizing luminescence. Sets of 22 sleek lights combine to form a stunning pendant with thin incisions along the bottom creating an understated, tranquil beauty. Thanks to its modular system, I Lucci Argentati is customizable and can be combined in many different configurations: from small to extra large; as a pendant or sconce; and finished either in brushed nickel or white. Design Dodo Arslan.

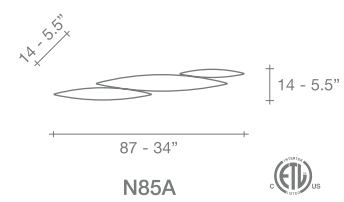
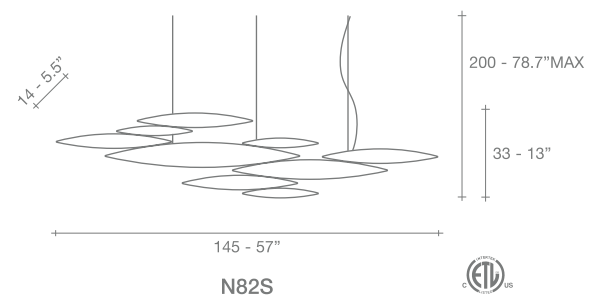
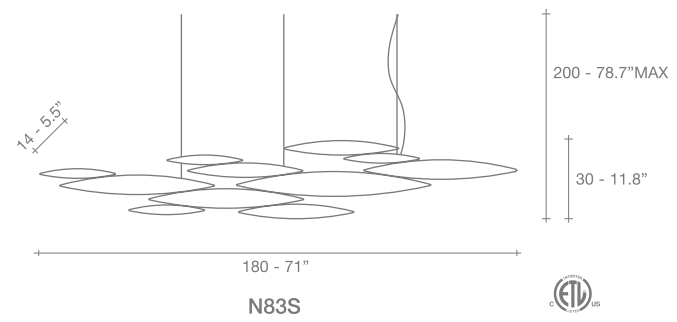
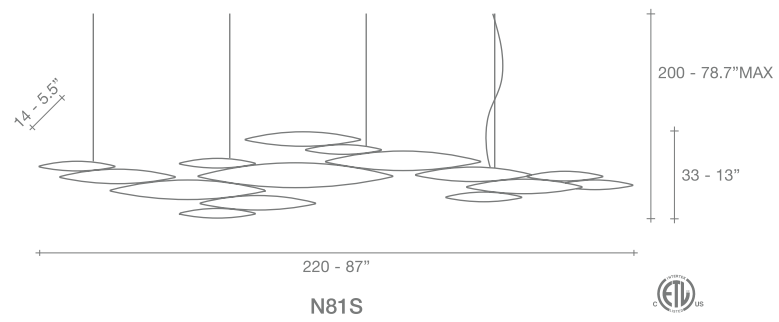
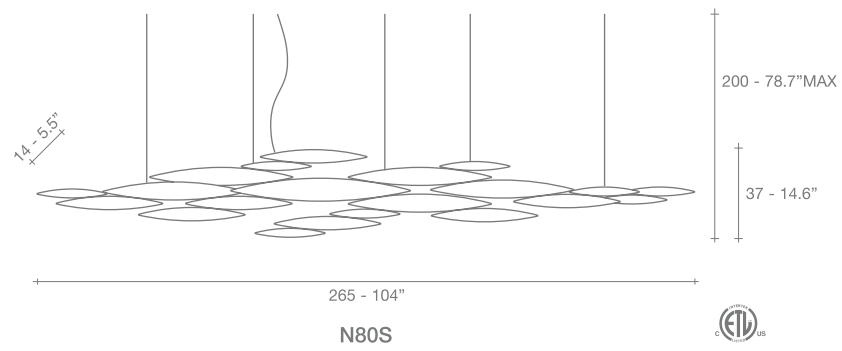












BRUSHED
NICKEL



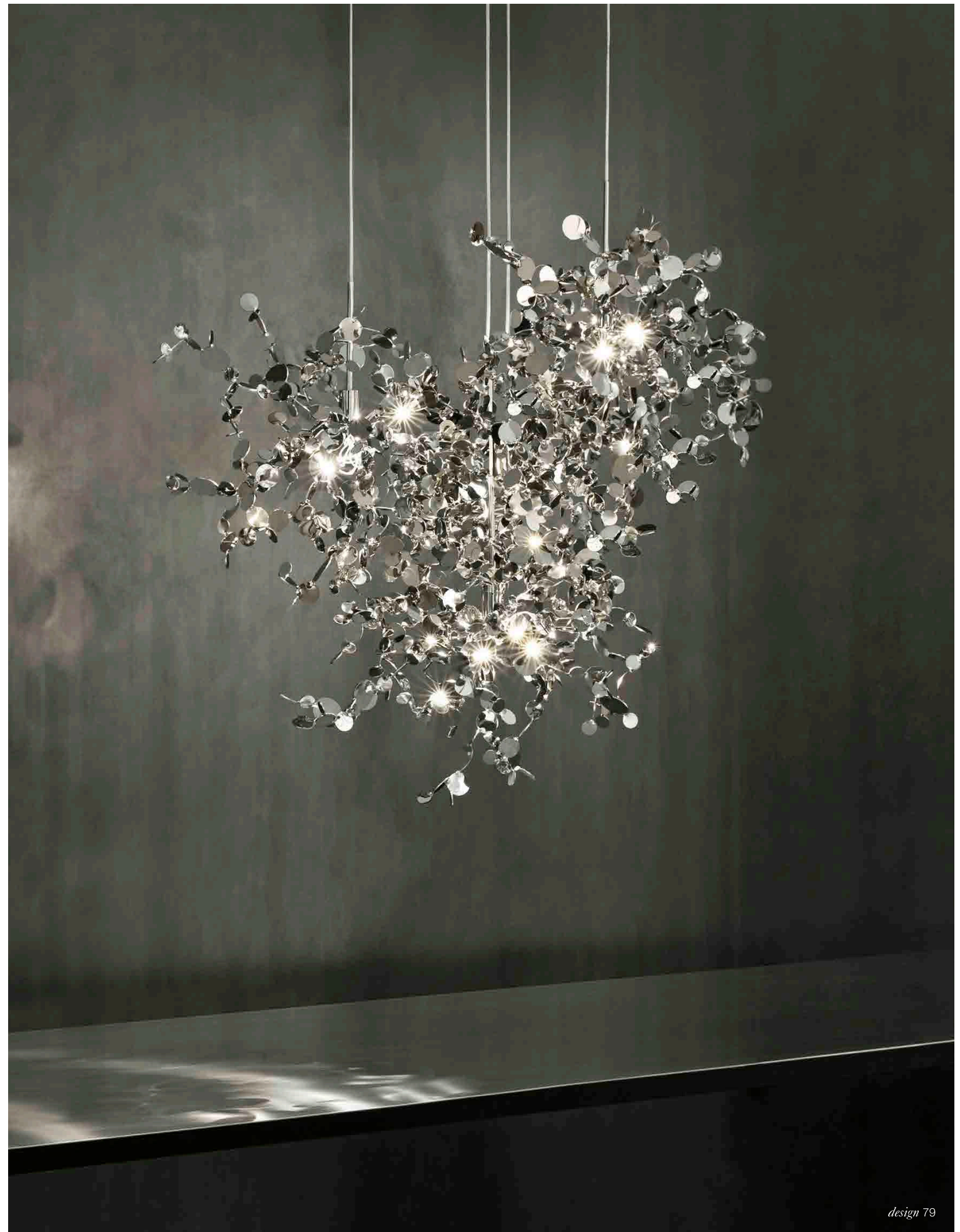
WHITE

	N80S	N81S	N83S	N82S	N85A
230V	HALOGEN ES 10X48W R7S (=10X60W)	HALOGEN ES 7X48W R7S (=7X60W)	HALOGEN ES 6X48W R7S (=6X60W)	HALOGEN ES 5X48W R7S (=5X60W)	HALOGEN ES 2X48W R7S (=2X60W)
120V	HALOGEN J-SHORT 10X50W R7S	HALOGEN J-SHORT 7X50W R7S	HALOGEN J-SHORT 6X50W R7S	HALOGEN J-SHORT 5X50W R7S	HALOGEN J-SHORT 2X50W R7S



Argent, a Silver *Cloud.*

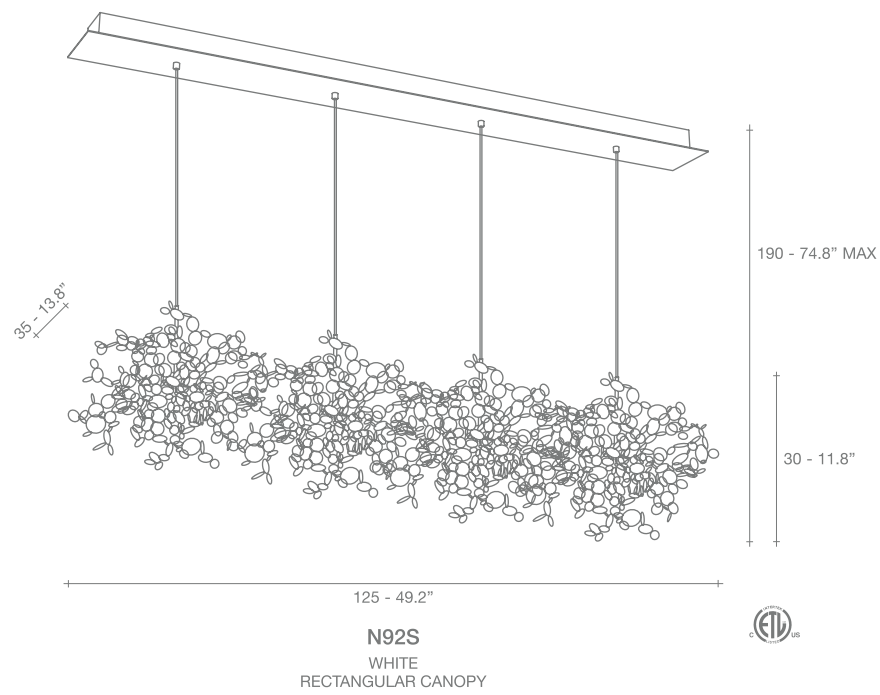
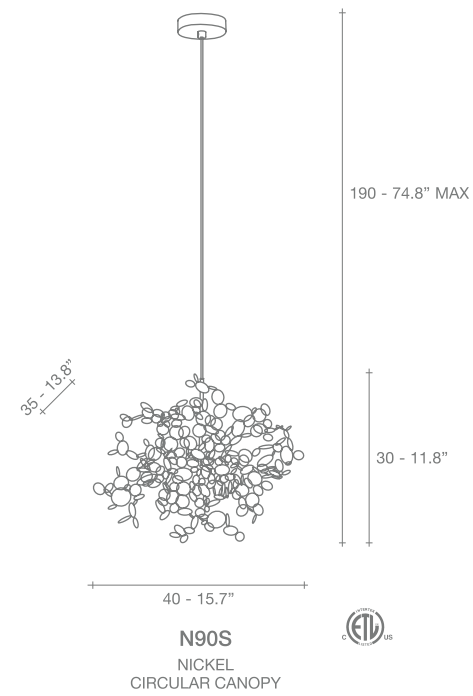
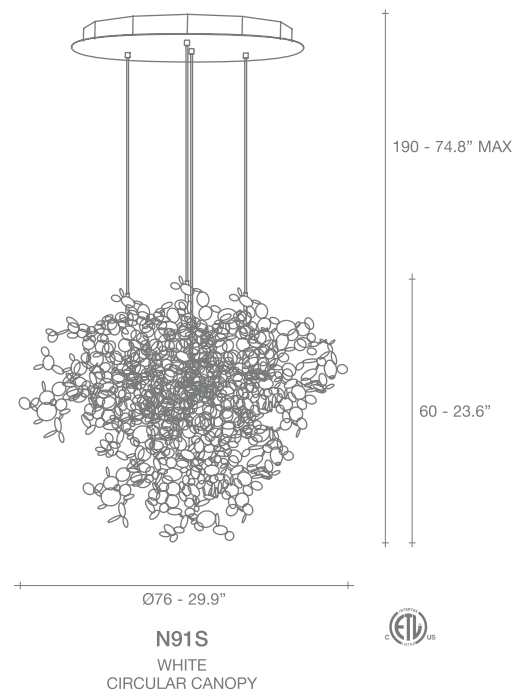
With this new suspension light, designer Dodo Arslan creates a shimmering, silver cloud. Argent consists of metal discs that have been meticulously joined by hand by Terzani craftsmen into clusters. Once lit, the multiple, angled surfaces of the discs emanate a soft, shimmering, white glow. Design Dodo Arslan.











WHITE
STAINLESS STEEL

	N91S	N90S	N92S
230V	HALOGEN 12V 12X20W G4	HALOGEN 12V 3X20W G4	HALOGEN 12V 12X20W G4
120V	XENON BI-PIN 12V T3 12X20W G4	XENON BI-PIN 12V T3 3X20W G4	XENON BI-PIN 12V T3 12X20W G4

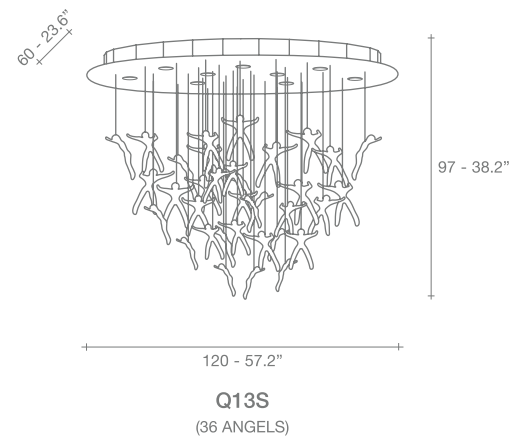
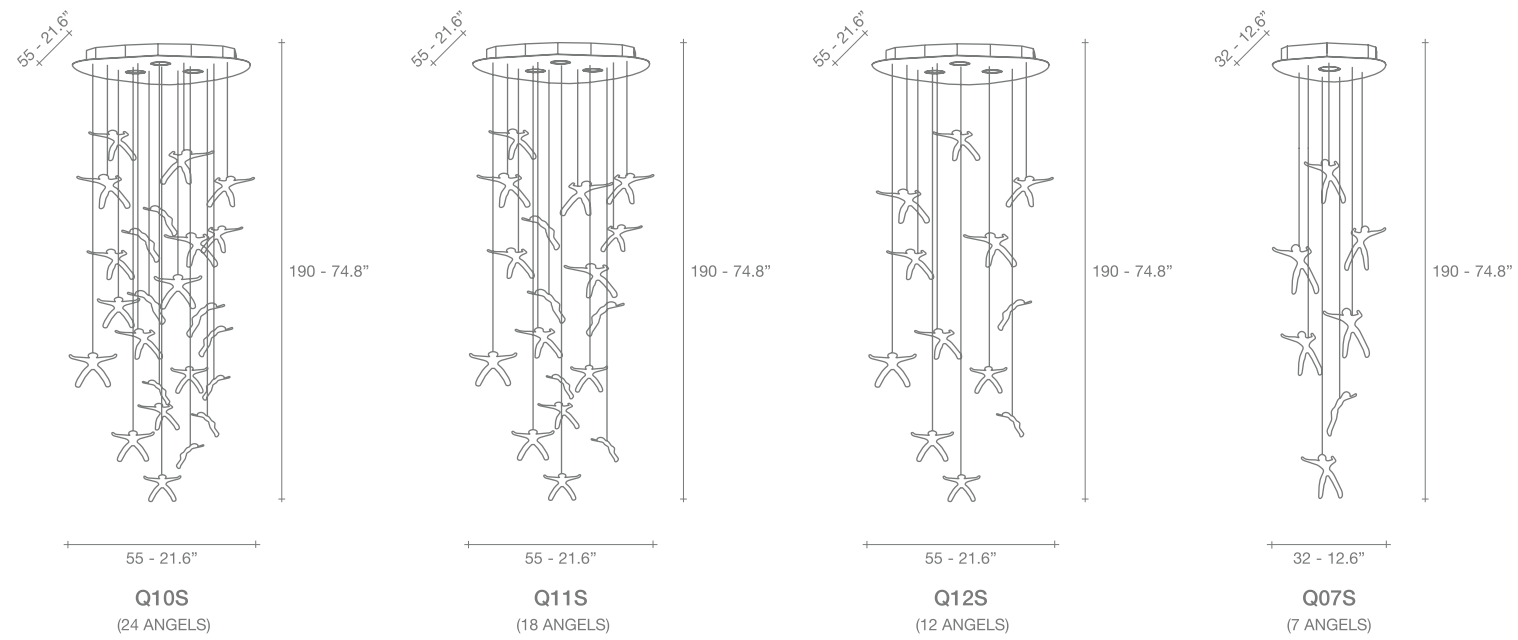


Angel Falls, Cast down *Earth.*

For his latest work for Terzani, Nigel Coates, well known for his unorthodox approach to design, has created an engaging, unique light. Customizable groups of crystal (24% lead) "angels" are illuminated by halogen lamps. What caused these angels to fall from the heavens? It's up to the viewers to decide. Either way, Angel Falls is sure to garner attention, and generate conversation, in any setting. design Nigel Coates.

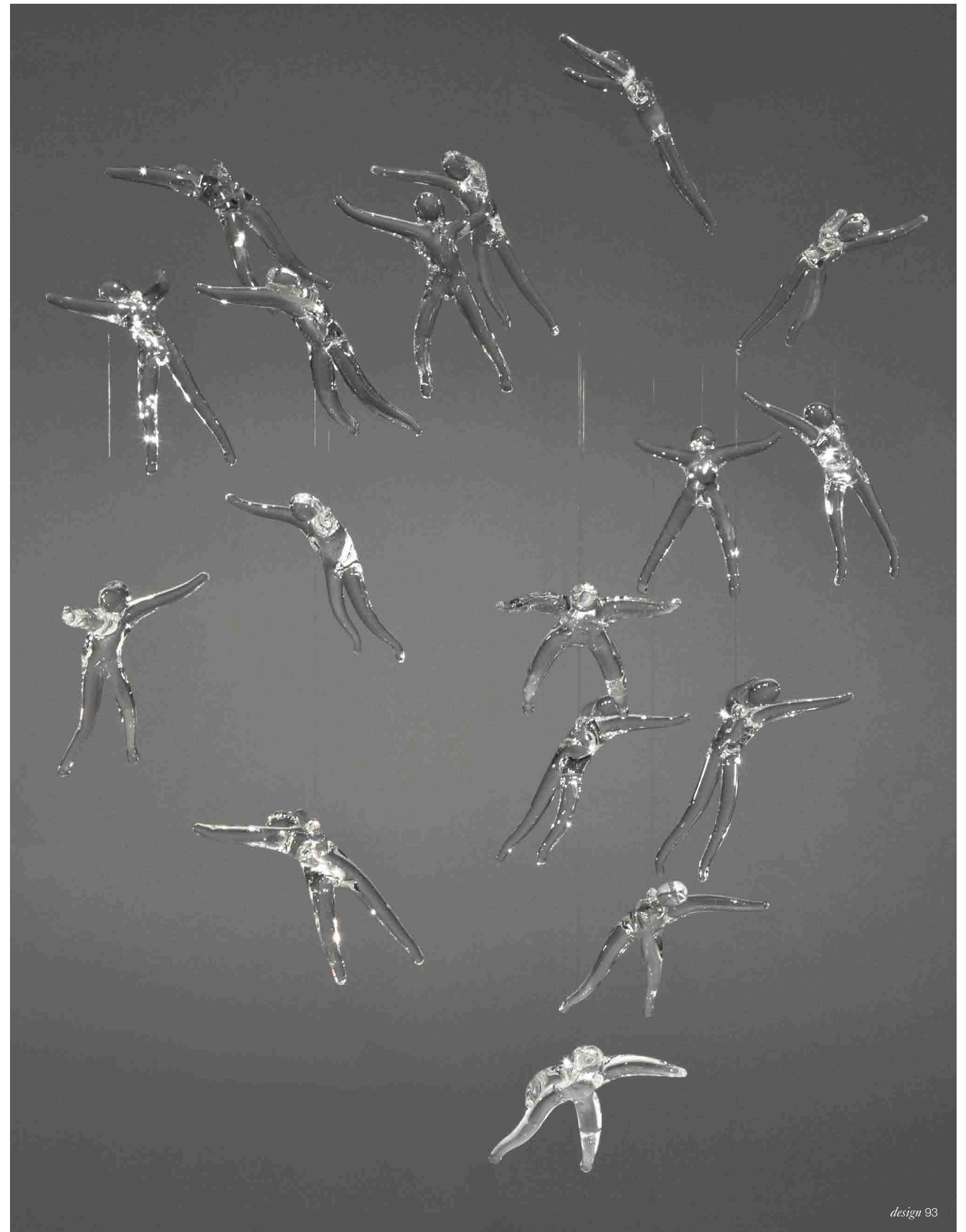






BRUSHED NICKEL /
WHITE ON Q13S
CRYSTAL

	Q10S	Q11S	Q12S	Q07S	Q13S
230V	HALOGEN 3X50W GZ10	HALOGEN 3X50W GZ10	HALOGEN 3X50W GZ10	HALOGEN 50W GZ10	HALOGEN 9X35W GZ10
120V	HALOGEN MR16 3X50W GU10	HALOGEN MR16 3X50W GU10	HALOGEN MR16 3X50W GU10	HALOGEN MR16 50W GU10	HALOGEN MR16 9X35W GU10

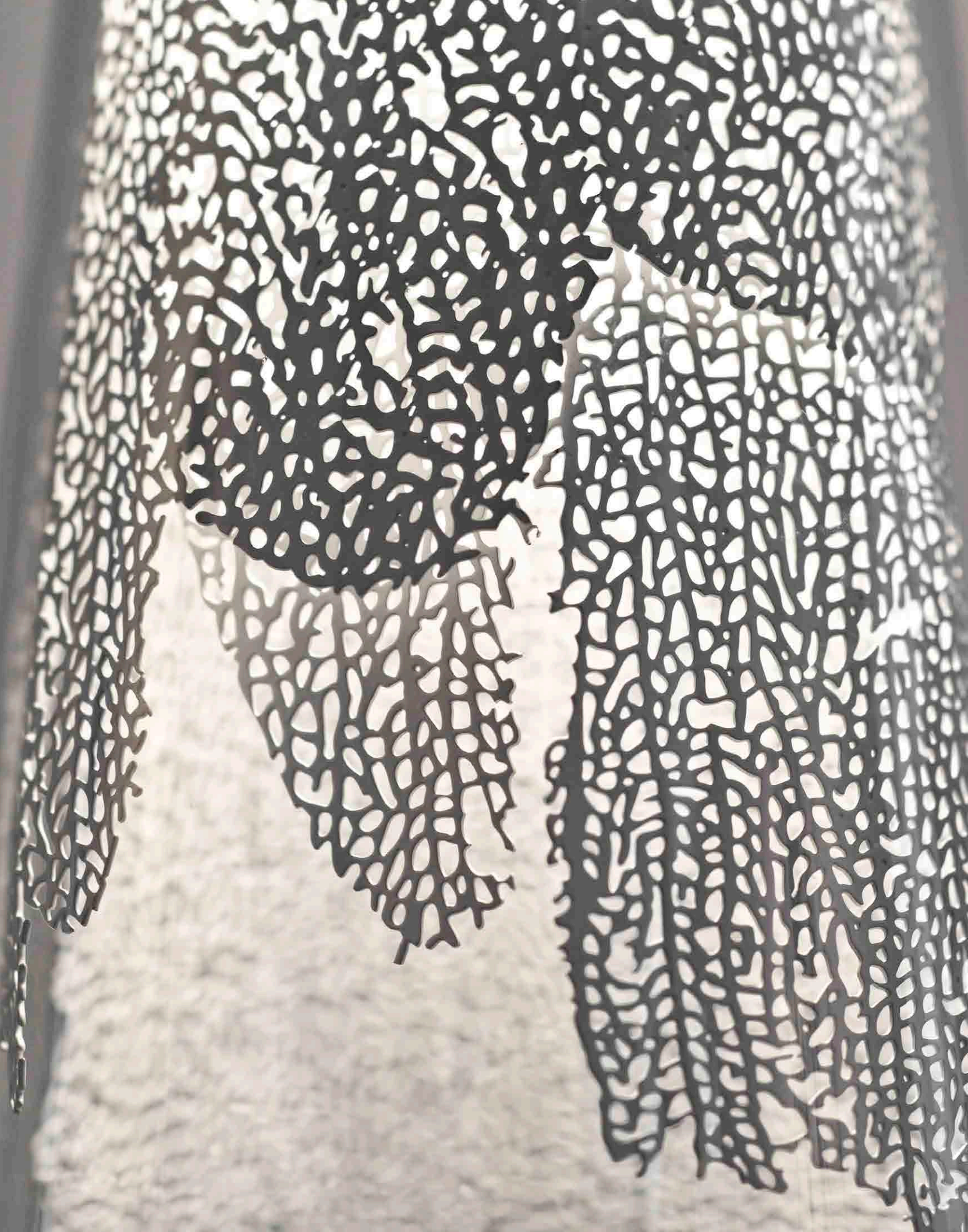


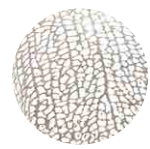
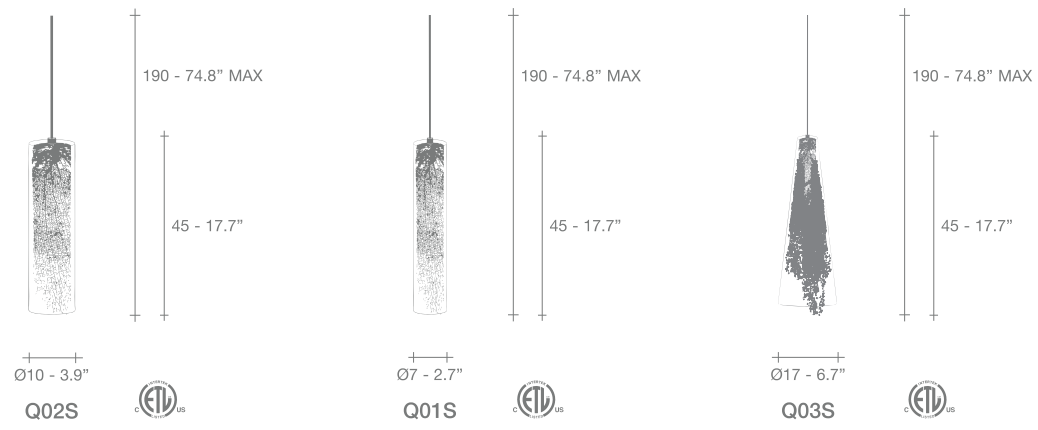
Frame, Nature's *Imprint.*

Capturing a moment in time, Frame features a metal coral leaf, enclosed inside a borosilicate glass preserving a delicate imprint of nature. Hidden inside is a single bulb which glows from within. Creating a stirring light that projects a dynamic shadow due to the permeable coral. Frame is available in white, red, gold plated or silver plated. Design Terzani Lab.

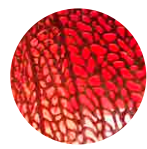








WHITE



CORAL



SILVER



GOLD

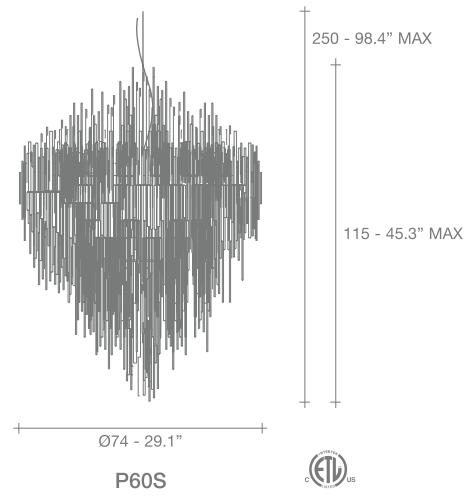
	<p>Q02S</p> <p>HALOGEN ES 28W E14 (=40W)</p>	<p>Q01S</p> <p>HALOGEN ES 28W E14 (=40W)</p>	<p>Q03S</p> <p>HALOGEN ES 42W E14 (=60W)</p>
230V			
	<p>FLAME</p> <p>CA 10 40W E12</p>	<p>FLAME</p> <p>CA 10 40W E12</p>	<p>FLAME</p> <p>CA 10 60W E12</p>
120V			







Iceberg, Pure *Light.*

Inspired by the natural beauty of ice crystals, this new suspension light creates a spectacular, luminous piece through the use of over 3,600 plexyglass tubes. Similar to light refracting through water, the illumination created by Iceberg is both brilliant and natural, meticulously handcrafted, each light is a unique sculpture; sparkling, multifaceted and powerful. Design Dodo Arslan.





CLEAR
PLEXIGLAS

- | | | | |
|------|---|---|--|
| 230V | 
P60S
COMPACT
FLUO.
6X14W E14 | + | 
GLOBE
COMPACT
FLUO.
23W E27 |
| 120V | 
COMPACT
FLUO.
6X12W E12 | + | 
GLOBE
COMPACT
FLUO.
23W E26 |

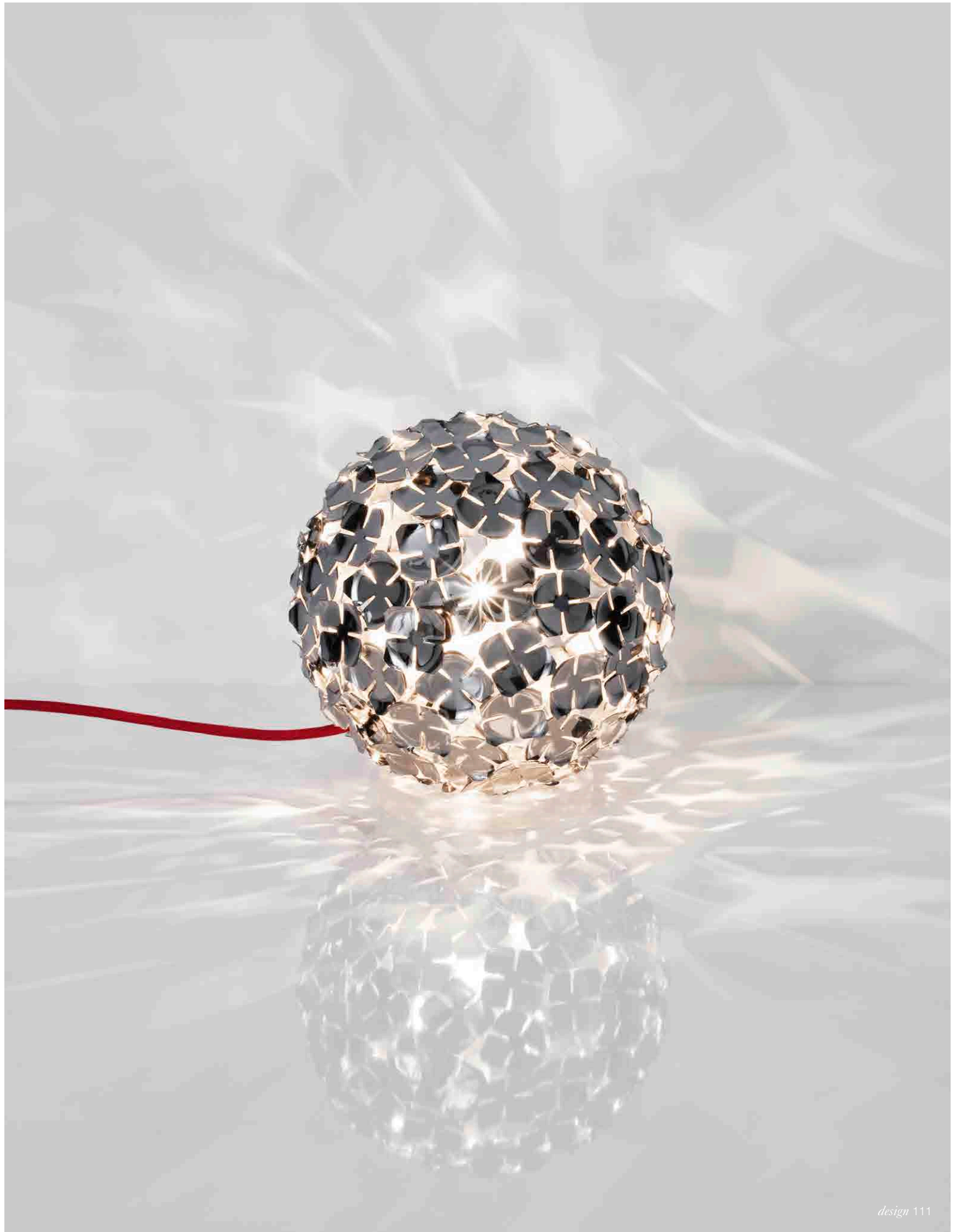


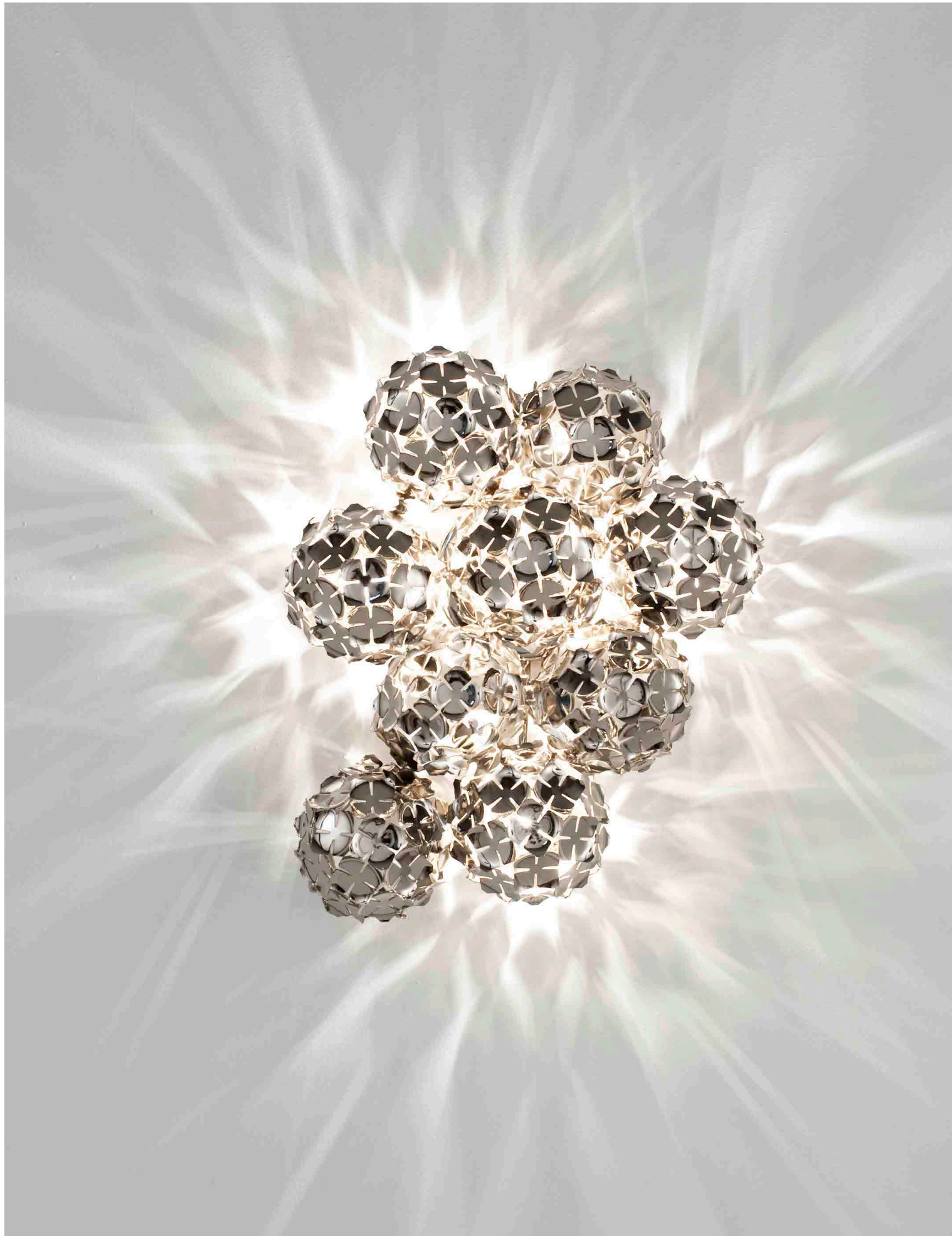
Orten'zia, Petals of *Light.*

Recalling the natural beauty of a flower, Orten'zia hand-soldered "petals" emanate a unique glow, immersing the entire room in a glimmering light. An organic radiance is created through light and shadow, planting a garden within the room. Available in either nickel or gold plated, the Orten'zia's elegant form complements its dramatic light. Design Bruno Rainaldi.



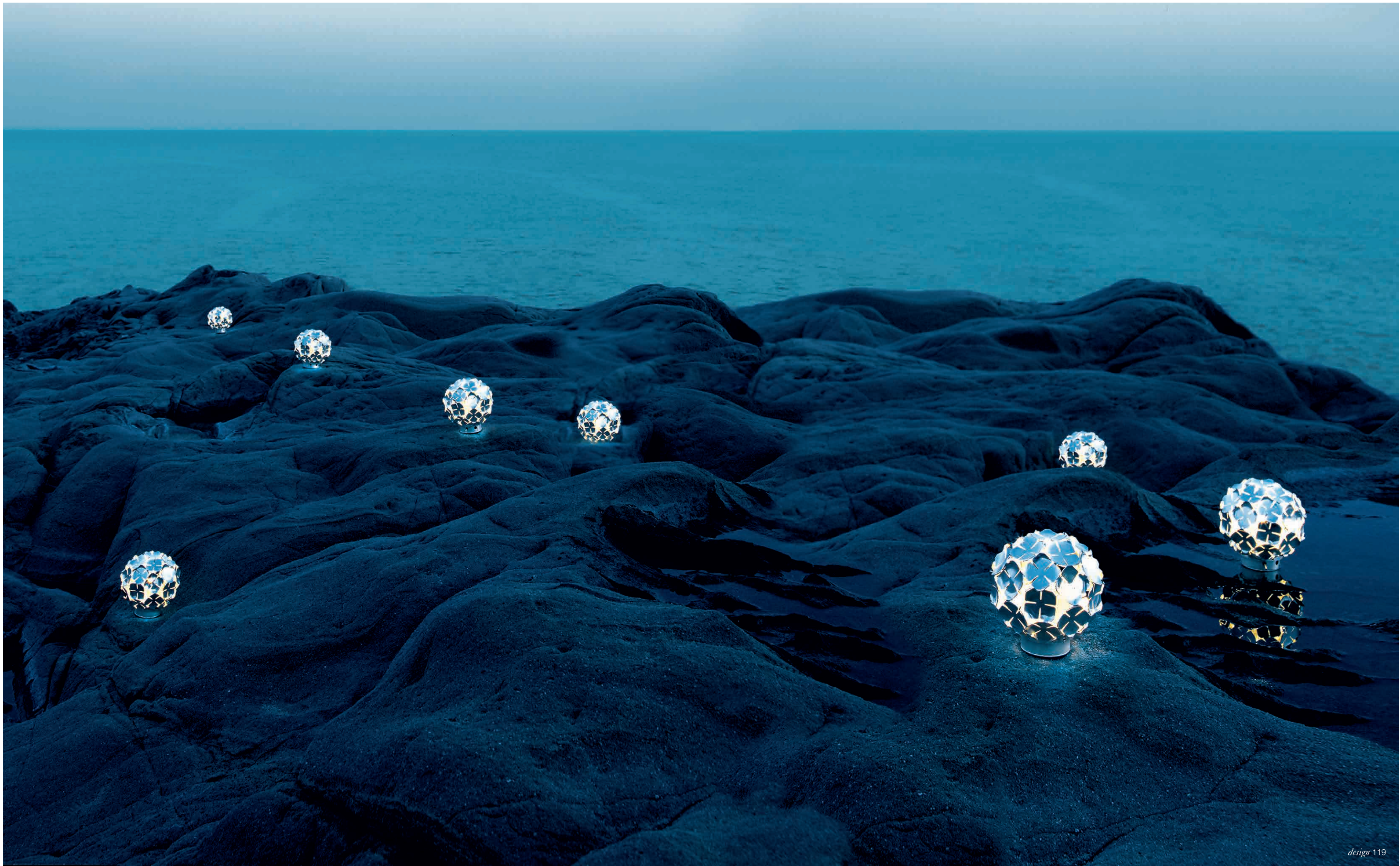




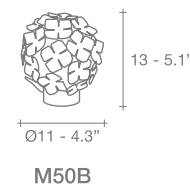
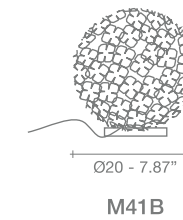
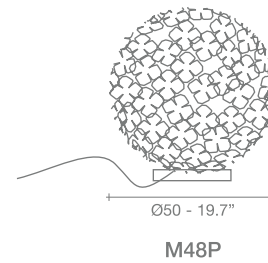
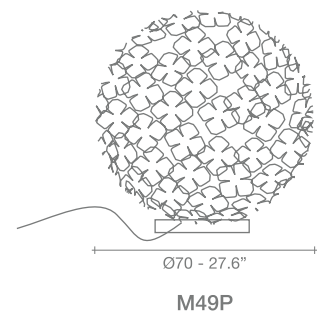
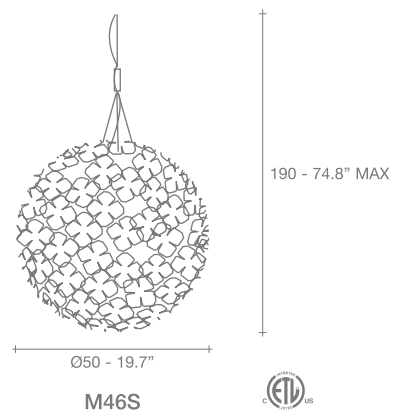
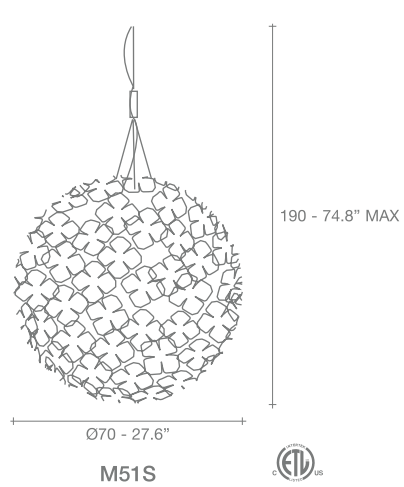
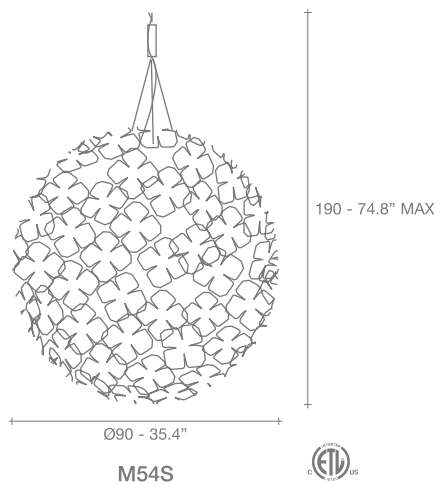








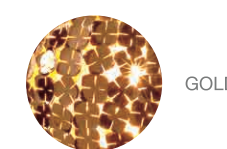
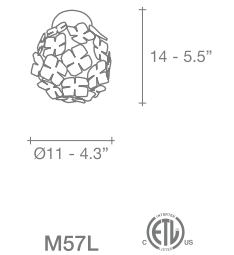
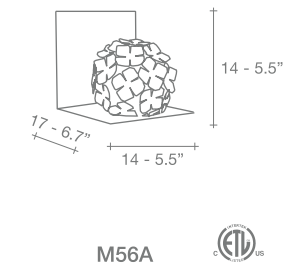
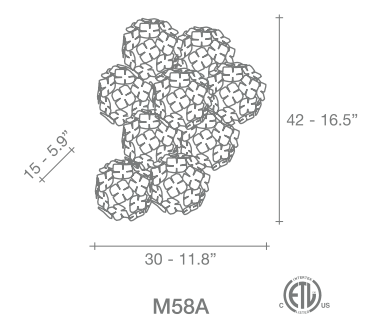
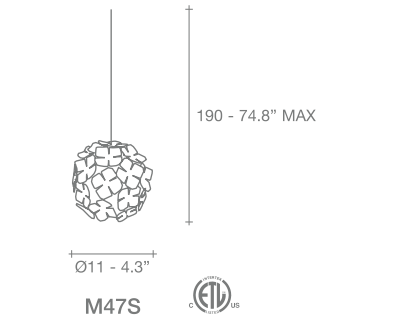
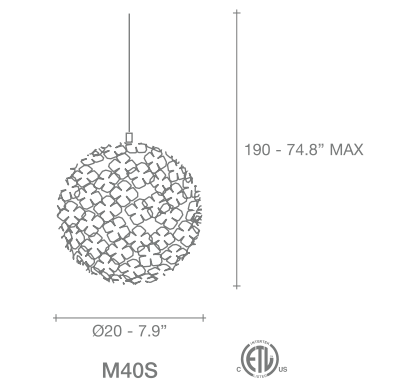
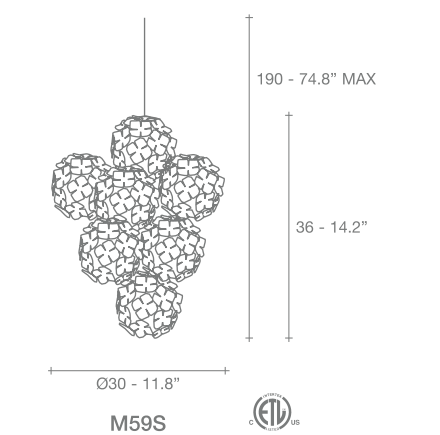
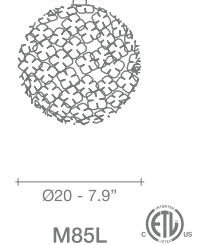
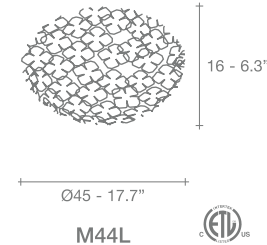
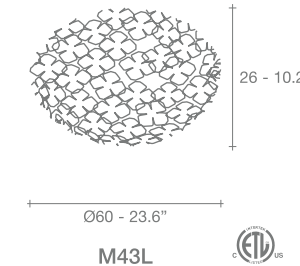
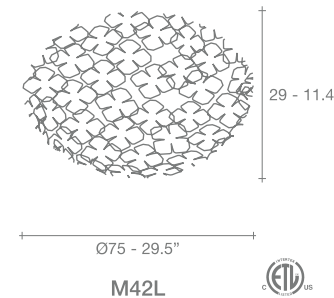
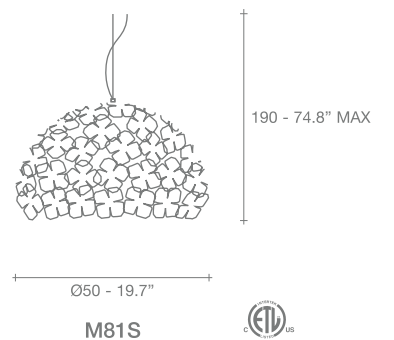
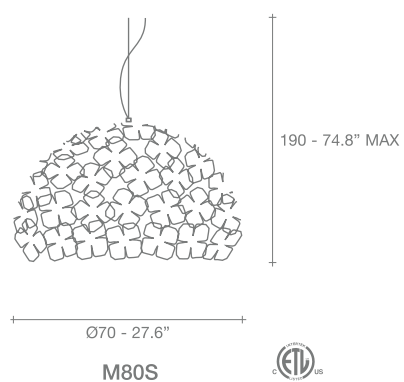
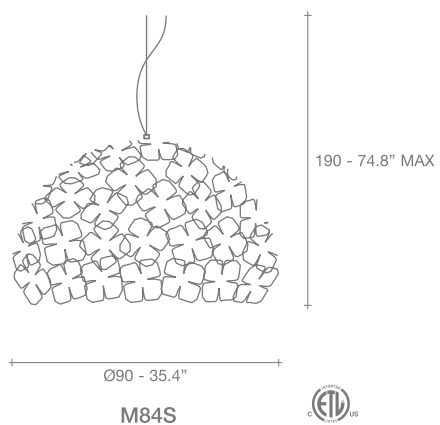




RED CORD NOT AVAILABLE FOR 120V

RED CORD NOT AVAILABLE FOR 120V

RED CORD NOT AVAILABLE FOR 120V



230V	M54S JUMBO COMPACT FLUO. 4X18W E27	M51S HALOGEN ES 140W E27 (=200W)	M46S HALOGEN ES 140W E27 (=200W)	M84S GLOBE COMPACT FLUO. 50W E27	M80S GLOBE COMPACT FLUO. 23W E27	M81S GLOBE COMPACT FLUO. 23W E27	M59S HALOGEN ES 60W G9 (=75W)	M40S HALOGEN ES 42W E14 (=60W)	M47S HALOGEN ES 48W G9 (=60W)
120V	CLEAR STANDARD PS25 300W E26	CLEAR STANDARD A23 200W E26	CLEAR STANDARD A23 200W E26	GLOBE G40 150W E26	GLOBE G40 150W E26	GLOBE G40 100W E26	KX-2000 T3 60W E12	KX-2000 T3 40W E12	HALOGEN JCD 50W G9

230V	M49P HALOGEN ES 140W E27 (=200W)	M48P HALOGEN ES 105W E27 (=150W)	M41B HALOGEN ES 42W E14 (=60W)	M50B 0,3W LED	M42L HALOGEN ES 140W E27 (=200W)	M43L HALOGEN ES 105W E27 (=150W)	M44L HALOGEN ES 120W R7S (=150W)	M85L HALOGEN ES 33W G9 (=40W)	M58A HALOGEN ES 5X33W G9 (=5X40)	M56A HALOGEN ES 48W G9 (=60W)	M57L HALOGEN ES 33W G9 (=40W)
120V	CLEAR STANDARD A23 200W E26	CLEAR STANDARD A21 150W E26	KX-2000 T3 40W E12	0,3W LED	CLEAR STANDARD A23 200W E26	CLEAR STANDARD A23 200W E26	HALOGEN J-SHORT 150W R7S	HALOGEN JCD 35W G9	HALOGEN JCD 5X35W G9	HALOGEN JCD 50W G9	HALOGEN JCD 50W G9

Bond, brands of *Racing Light.*

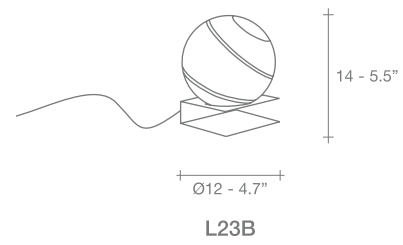
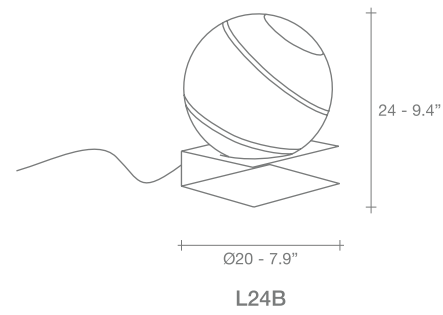
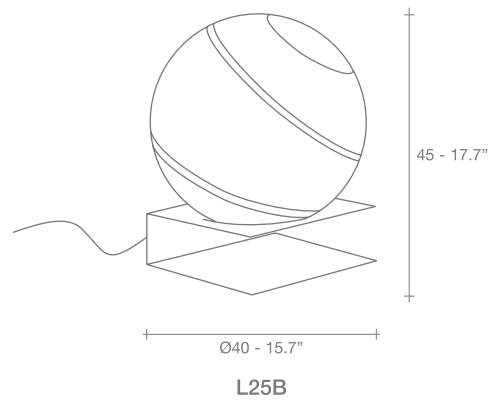
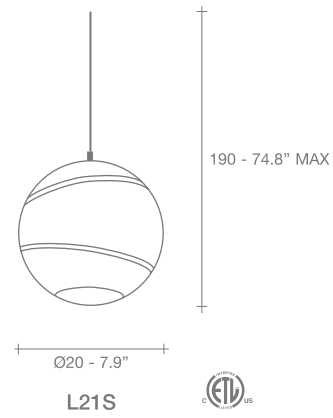
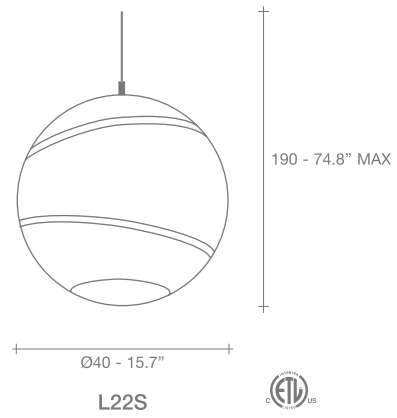
Bond's bands of light expose a deceptively luxurious interior. Under the glass exterior, lays a core of gold leaf that creates a deep, complex radiance. The overall glow is intensified by incisions that emit focused, dramatic lines of light. Extremely versatile, Bond is available in three sizes; as either a pendant or a table/floor light; and with a black or white exterior. Whether alone or grouped together, Bond's light creates a dynamic atmosphere. Design Bruno Rainaldi.









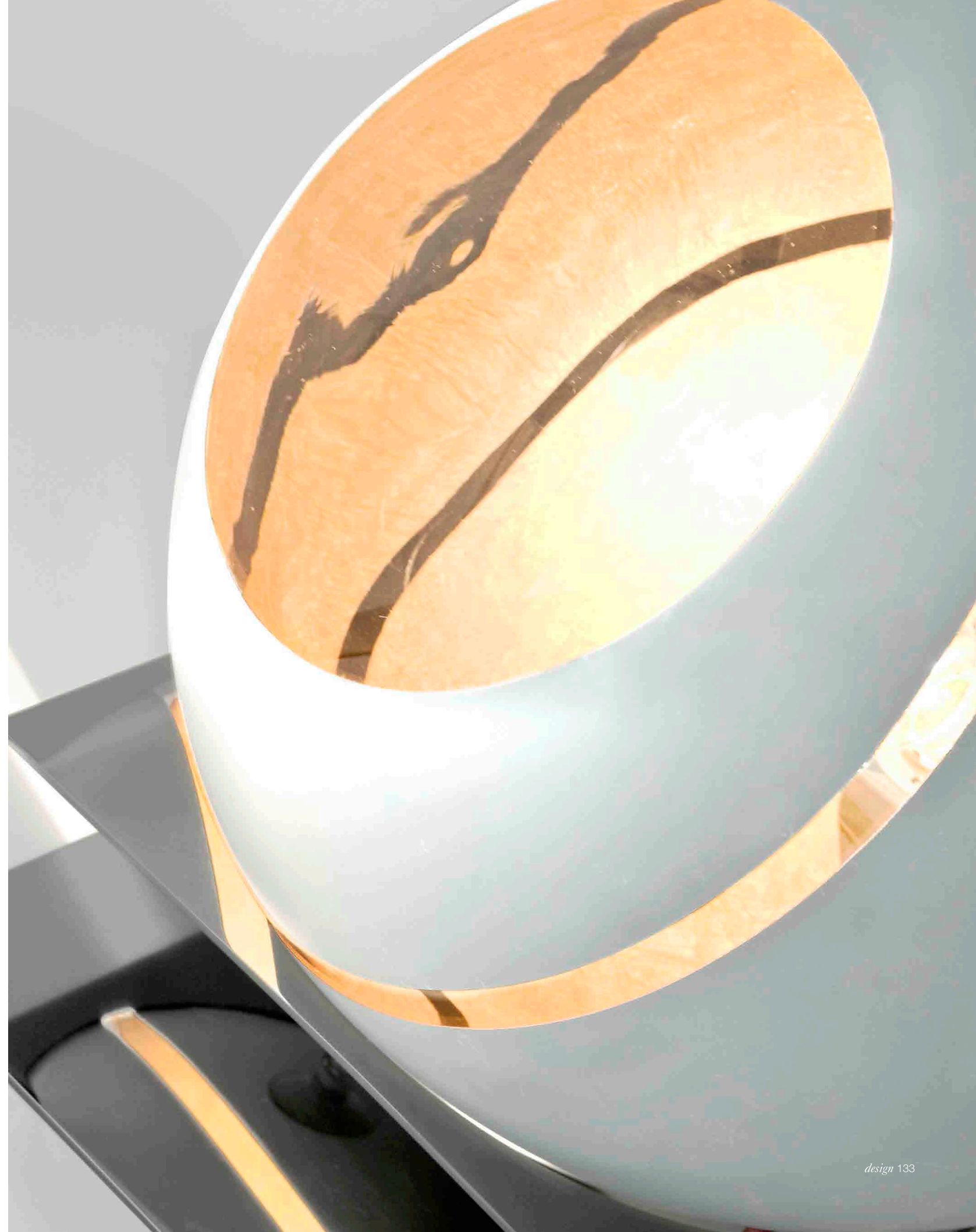


CLEAR GLASS
 WHITE WITH
 GOLD LEAF



CLEAR GLASS
 BLACK WITH
 GOLD LEAF

	L22S	L21S	L20S	L25B	L24B	L23B
230V	HALOGEN ES 70W E27 (=100W)	HALOGEN ES 42W E14 (=60W)	HALOGEN ES 20W G9 (=25W)	HALOGEN ES 70W E27 (=100W)	HALOGEN ES 42W E14 (=60W)	HALOGEN ES 20W G9 (=25W)
120V	HALOGEN ECO A19 72W E26 (=100W)	HALOGEN JCD 35W G9	HALOGEN JCD 20W G9	HALOGEN ECO A19 72W E26 (=100W)	CLEAR GLOBE G16 1/2 60W E12	HALOGEN JCD 20W G9



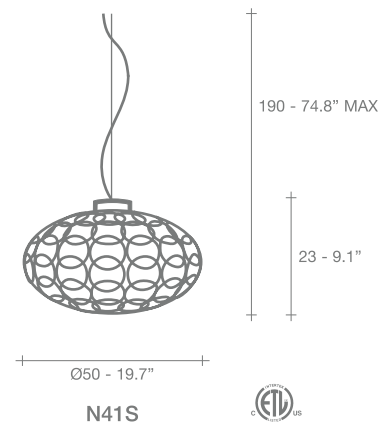
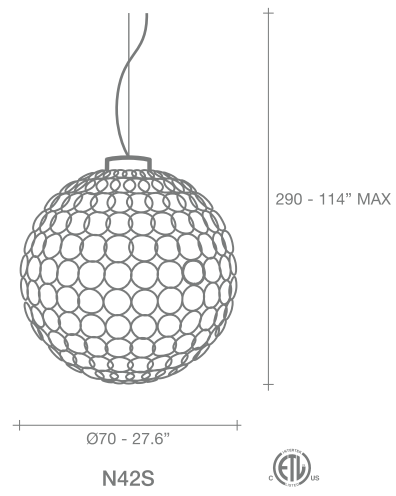
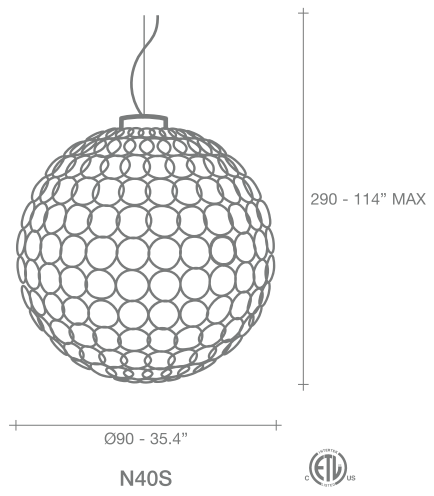
G.r.a,
gyrating Romantic
rings of Light.

This clean, precise form is the result of hours of labor by our artisans, who meticulously weld each ring together. G.r.a. is a delicate, refined pendant whose intricate shape belies its romantic glow. Available as an oval or a sphere, and finished in nickel or gold, G.r.a. serves as an elegant, unobtrusive complement to any room. Design Bruno Rainaldi.

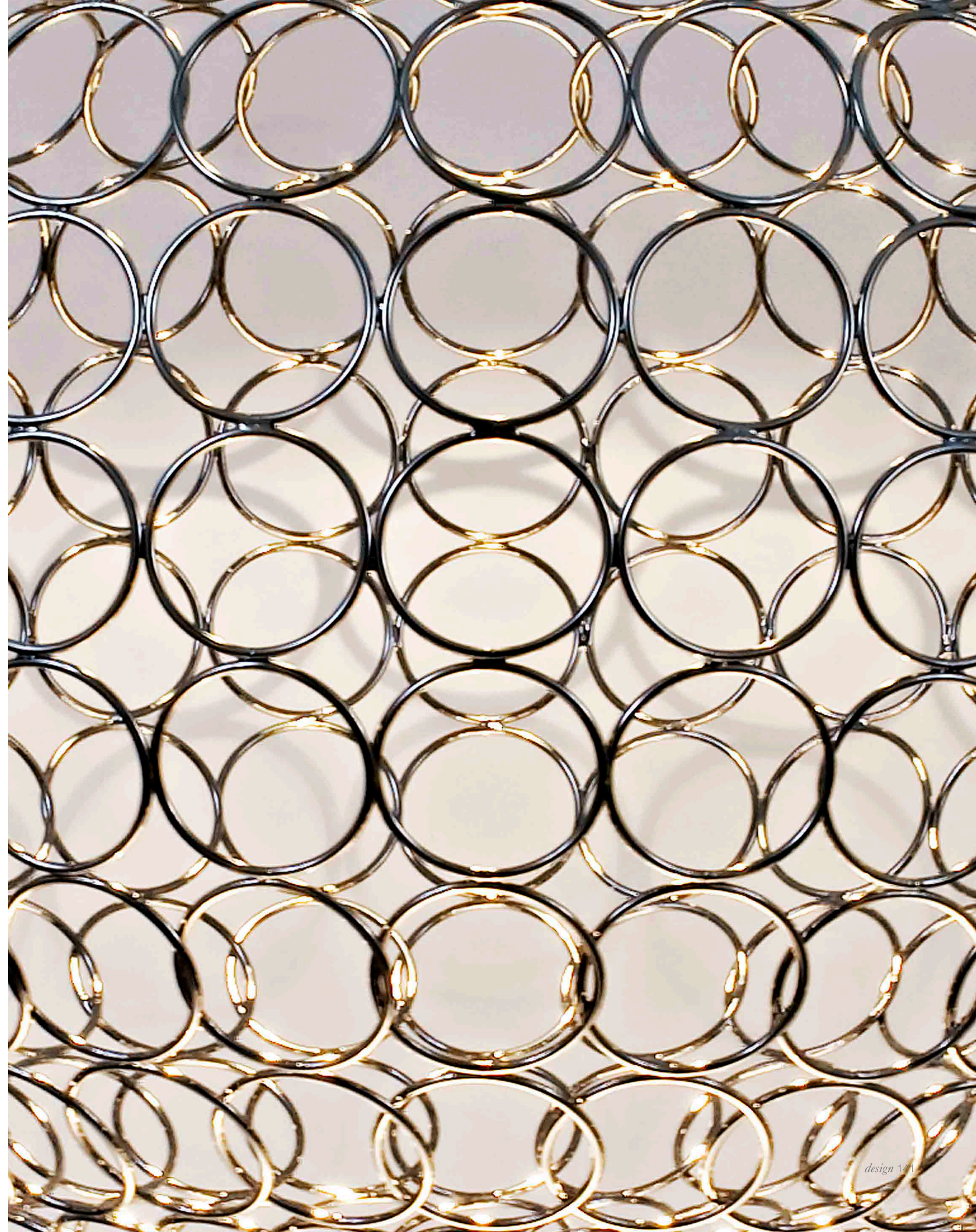








	N40S	N42S	N43S	N41S
230V	HPAR111 HALOGEN 100W GZ10	HPAR111 HALOGEN 100W GZ10	HPAR111 HALOGEN 100W GZ10	HPAR111 HALOGEN 100W GZ10
120V	HALOGEN R111 100W GU10	HALOGEN R111 100W GU10	HALOGEN R111 100W GU10	HALOGEN R111 100W GU10

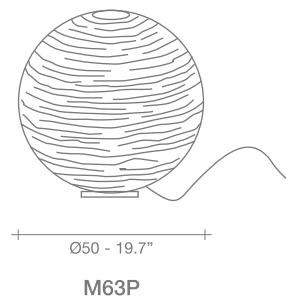
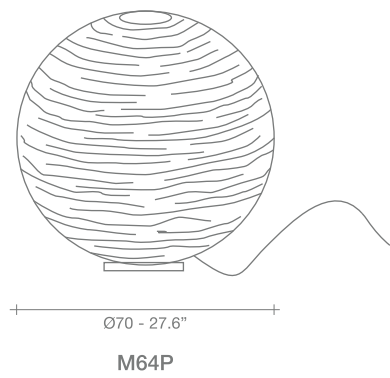
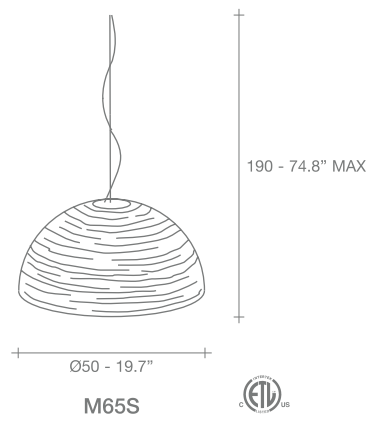
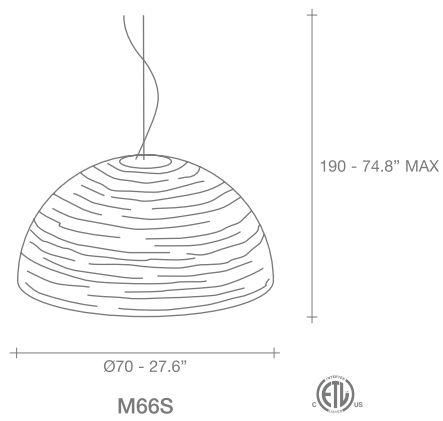
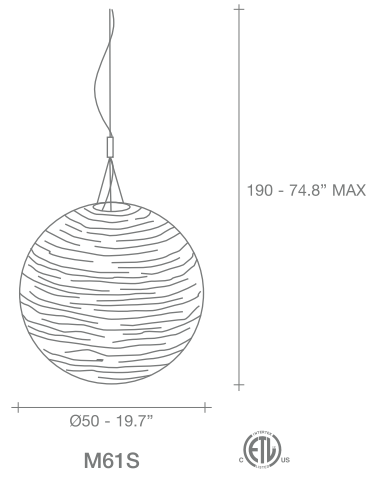
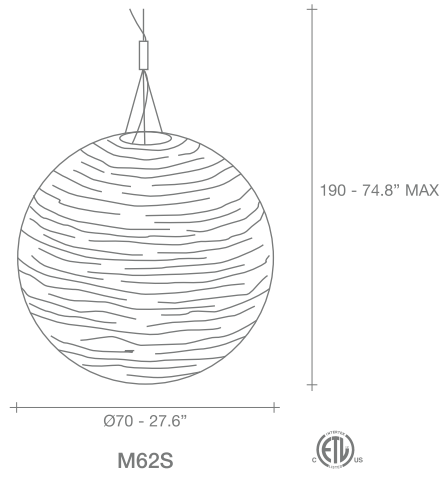


Magdalena, Cutting edge *Beauty.*

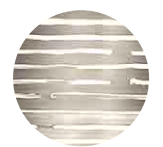
Reaching inside traditional forms, Magdalena's laser-cut, horizontal openings allow for its light to expand its range to the entire room. Creating an alluring pattern of light and shadow, Magdalena highlights the shape of the room itself. This unique exchange creates a pendant that impacts every space, regardless of size. Design Bruno Rainaldi.







WHITE

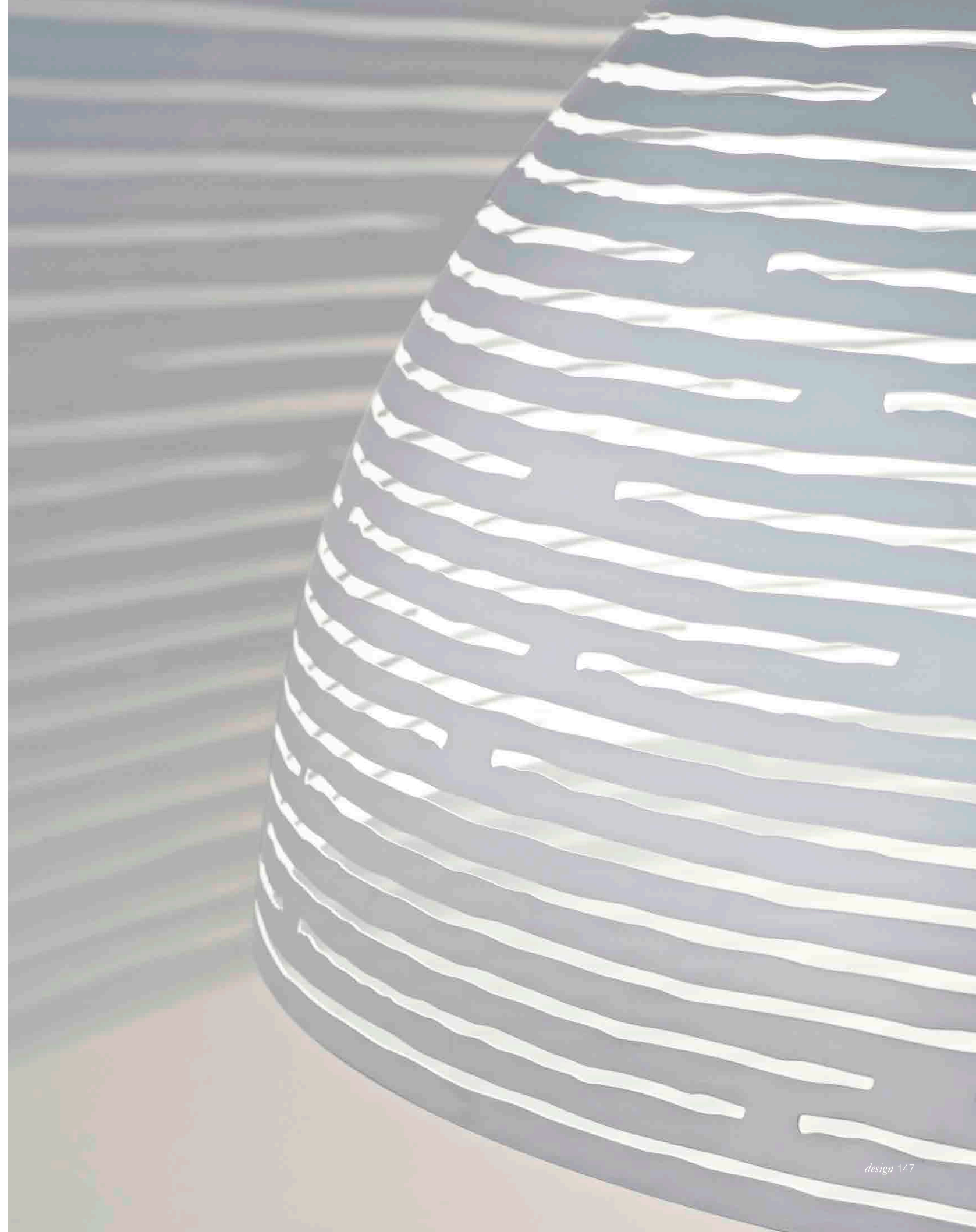


NICKEL



GOLD LEAF

	M62S	M61S	M66S	M65S	M64P	M63P
230V	HALOGEN ES 140W E27 (=200W)	HALOGEN ES 140W E27 (=200W)	GLOBE COMPACT FLUO. 23W E27	GLOBE COMPACT FLUO. 23W E27	HALOGEN ES 140W E27 (=200W)	HALOGEN ES 105W E27 (=150W)
120V	CLEAR STANDARD A23 200W E26	CLEAR STANDARD A23 200W E26	GLOBE G40 150W E26	GLOBE G40 150W E26	CLEAR STANDARD A23 200W E26	CLEAR STANDARD A23 200W E26

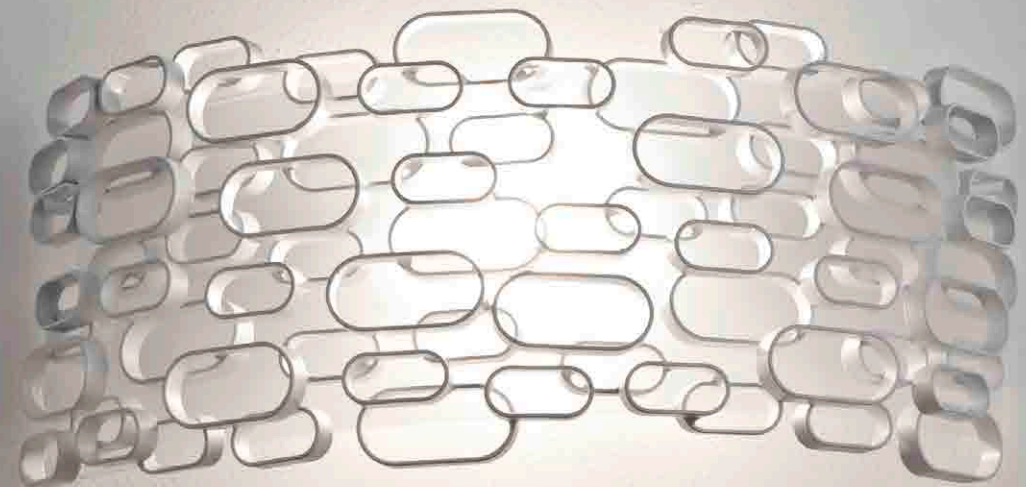


Glamour, Modern *Seduction.*

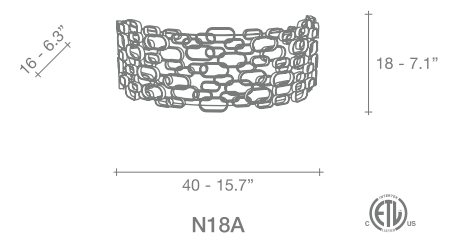
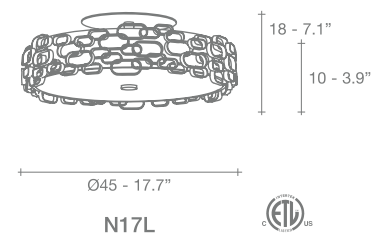
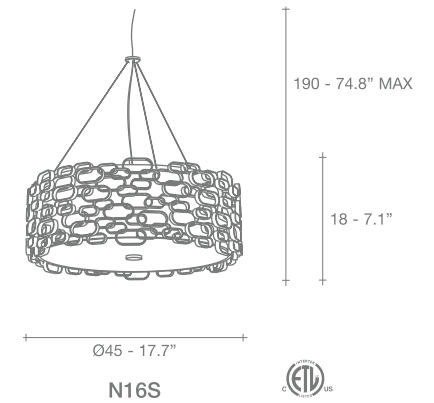
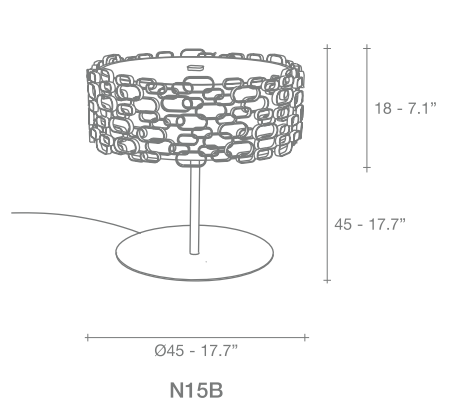
Glamour's randomly interspersed rings imbue this design with a seductiveness rarely applied to geometric shapes. Whether finished in gold, nickel or white, the diffused light emanating behind Glamour's rings bathes the surrounding area in a soft, sensuous glow. Available as a wall sconce, table lamp or pendant, Glamour can provide subtle accents or act as the focal point of a room. Design Dodo Arslan.











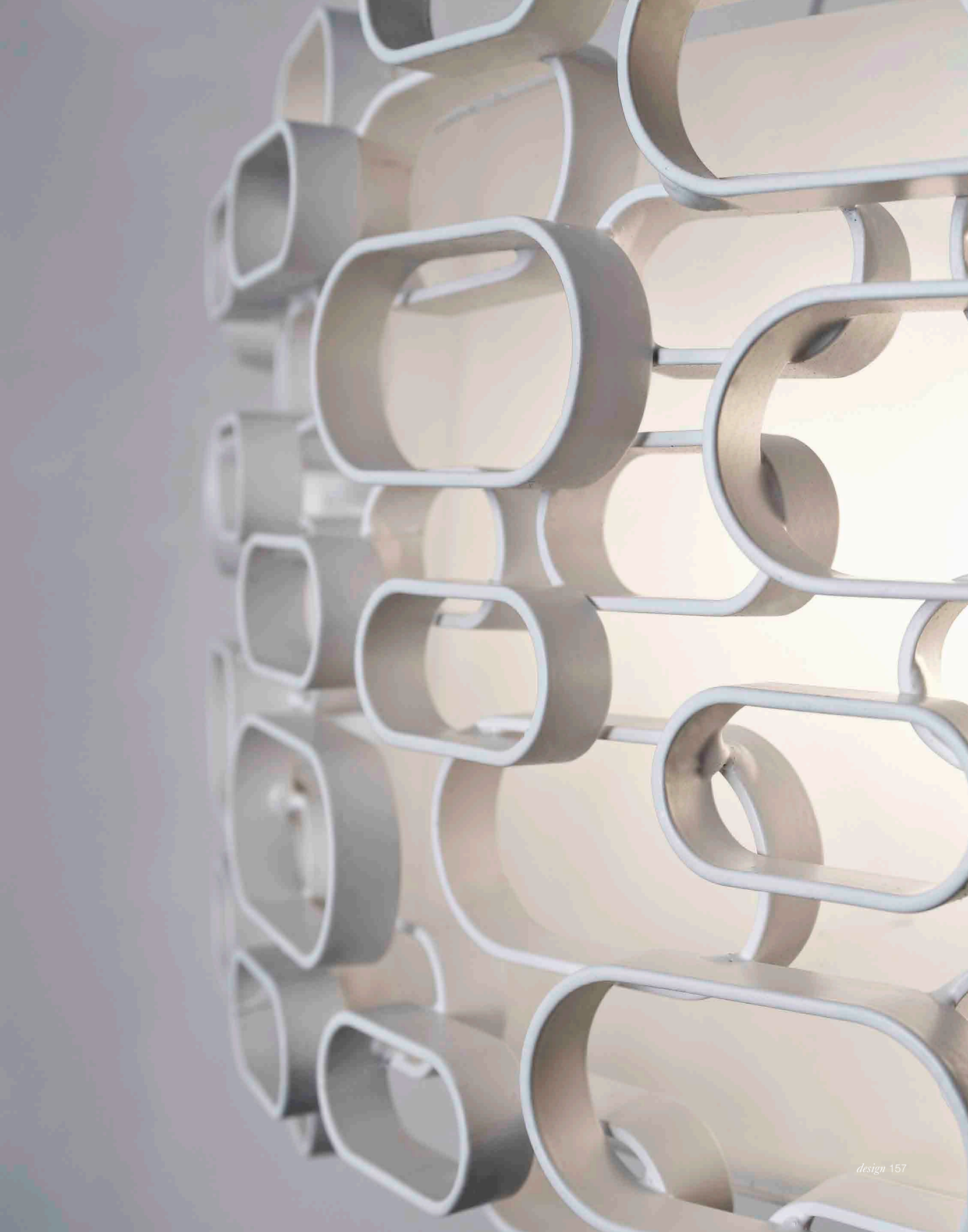








	N15B	N16S	N17L	N18A
230V	 HALOGEN ES 3X28W E14 (=3X40W)	 HALOGEN ES 3X28W E14 (=3X40W)	 HALOGEN ES 3X28W E14 (=3X40W)	 HALOGEN ES 48W R7S (=60W)
120V	 CLEAR GLOBE G12 3X40W E12	 CLEAR GLOBE G12 3X40W E12	 CLEAR GLOBE G12 3X40W E12	 HALOGEN J-SHORT 75W R7S

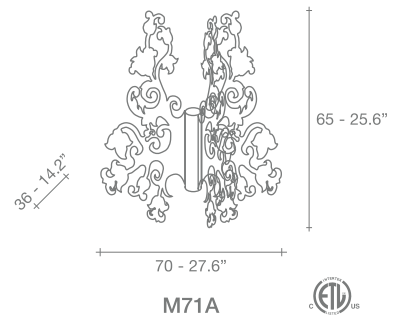
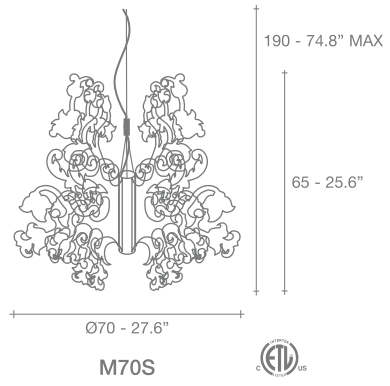


Anastacha,
a Classic shape for the
Modern home.

Providing an understated elegance to any room, Anastacha's rendering of this lavish form in laser-cut plexiglas adds traditional beauty without overpowering modern elements. Through its unique construction, light not only focuses downwards, but also emanates throughout the room, allowing Anastacha to serve as the main source of light or as a design accent. Available in black or transparent plexiglas. Design Bruno Rainaldi.







M70E

ADDITIONAL LIGHT SOURCE FOR M70S



BRUSHED
NICKEL
BLACK
DIFFUSER



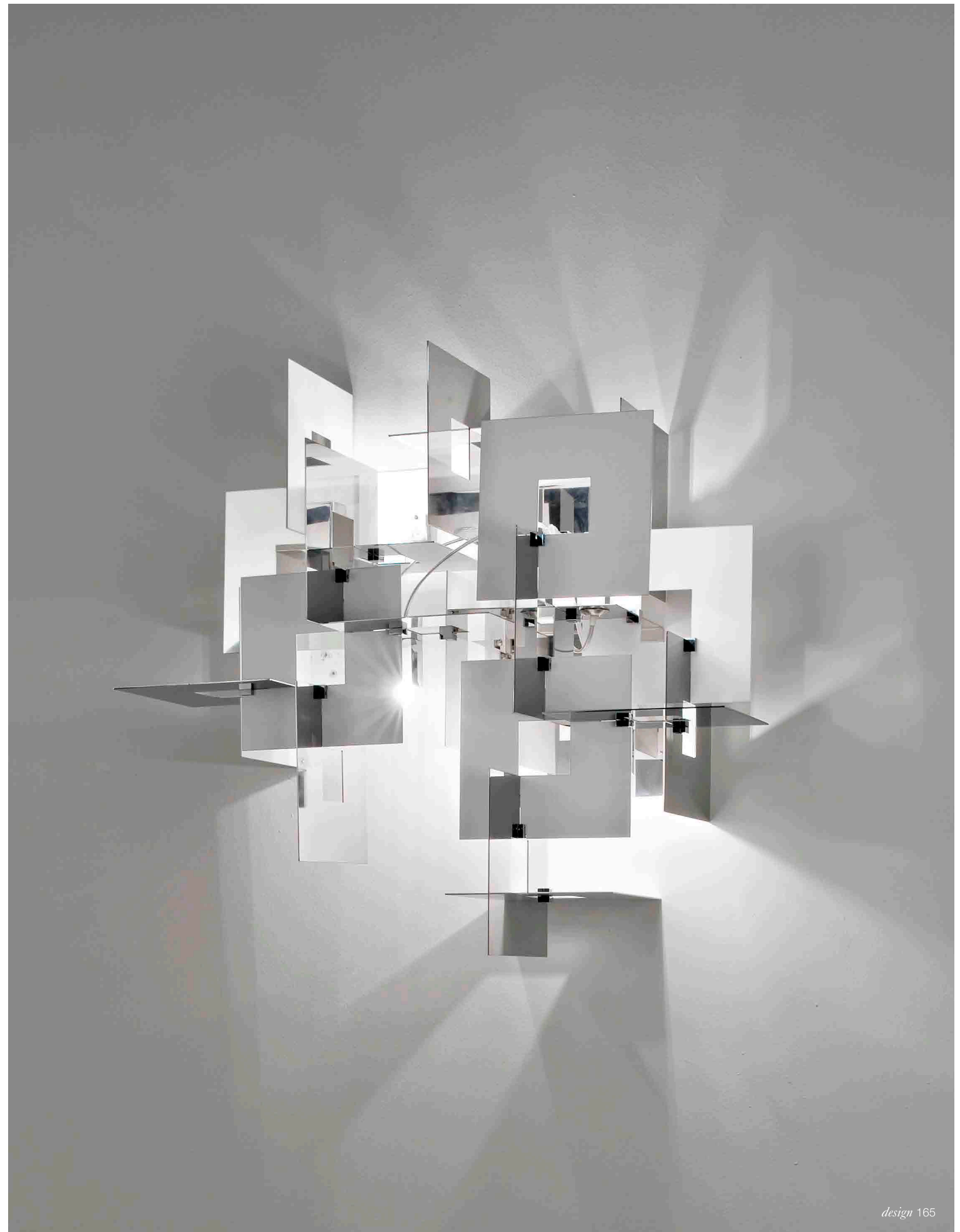
BRUSHED
NICKEL
CLEAR
DIFFUSER

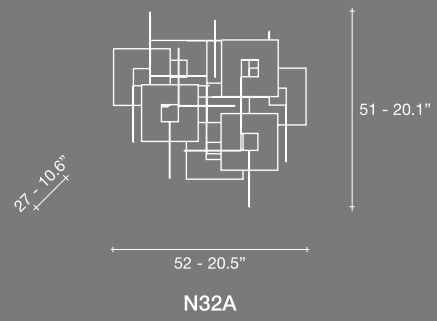
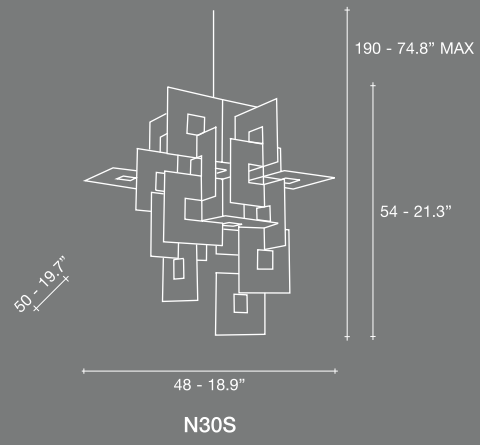
	M70S	M71A	M70E
230V	COMPACT FLUO. 4 PIN BASE 26W G24Q3	COMPACT FLUO. 4 PIN BASE 26W G24Q3	HALOGEN 50W GU10
120V	COMPACT FLUO. QUAD 4-PIN T4 26W G24Q3	COMPACT FLUO. QUAD 4-PIN T4 26W G24Q3	HALOGEN MR16 50W GU10



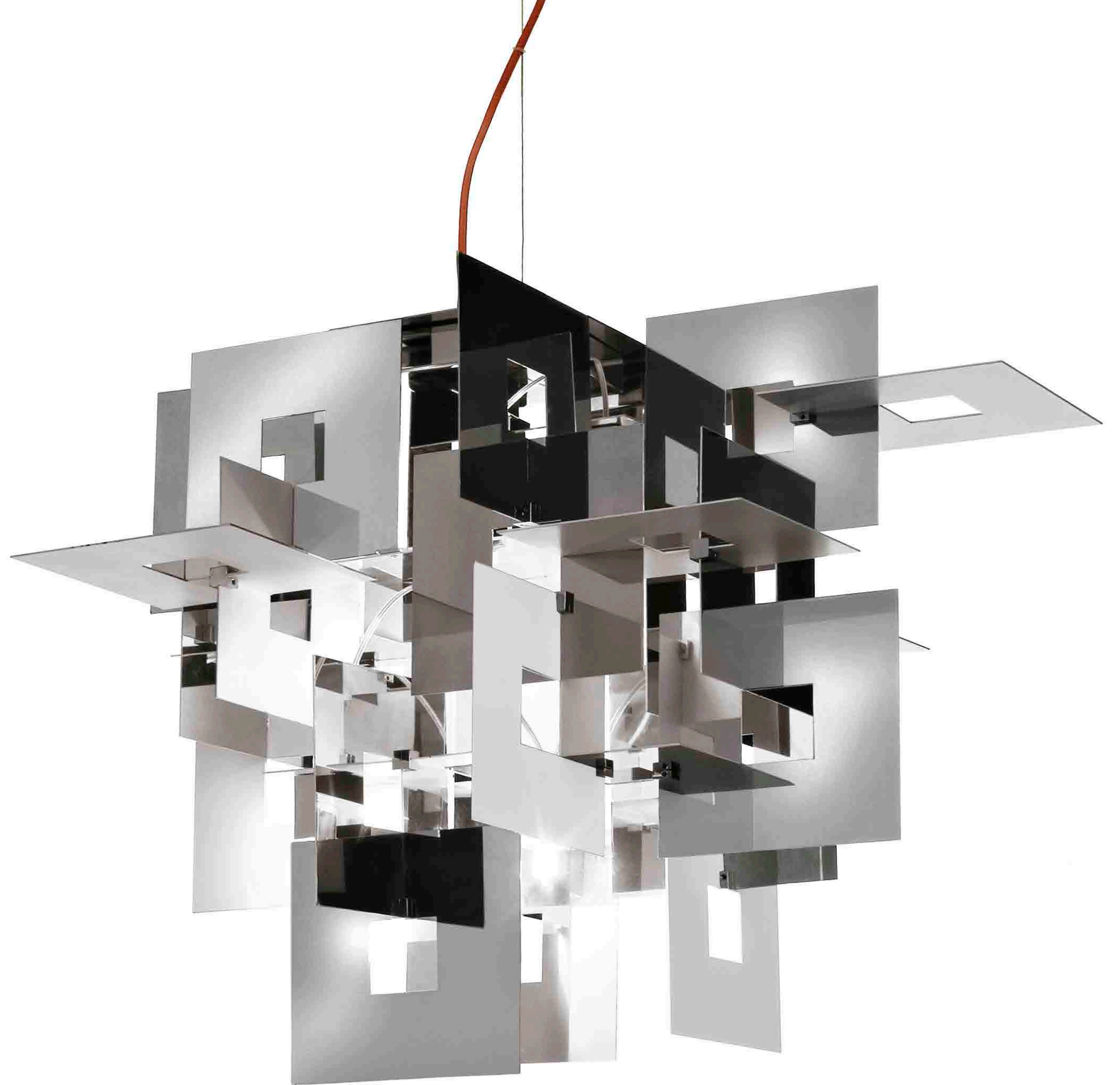
Untitled, Beauty is in the eye *of the Beholder.*

A powerful work of art has a unique meaning for each viewer. With Untitled, laser-cut stainless steel frames create a depth and complexity that changes at every angle, providing a dynamic element to any space. This unique design elicits a range of responses and provides an intriguing element that stands the test of time. Design Bruno Rainaldi.





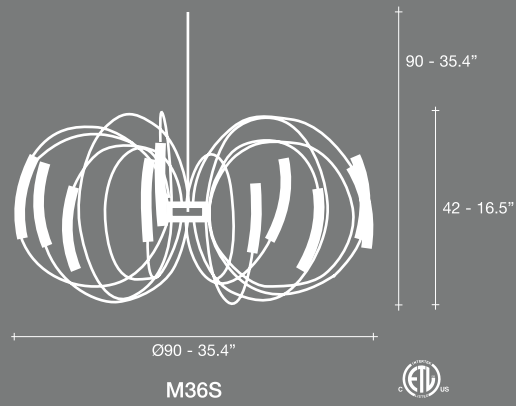
	N30S	N32A
230V	HALOGEN ES 5X33W G9 (=5X40W)	HALOGEN ES 4X33W G9 (=4X40W)
120V	HALOGEN JCD 5X35W G9	HALOGEN JCD 4X35W G9



Hook, an Alluring *Design.*

Hook, comprised of a series of arched arms, creates an enticing light that draws people towards it. Bathing the room in a soft glow, viewers are easily captured by Hook's inviting elegance. Its clean design lends well in a variety of settings, casting a light that is equally suitable in commercial or residential environments. Design Jean François Crochet.





NICKEL
CLEAR GLASS



RUSTY
CLEAR AMBER
GLASS

M36S

230V

HALOGEN
ES 12V
12X14W G4
(=12X20W)

120V

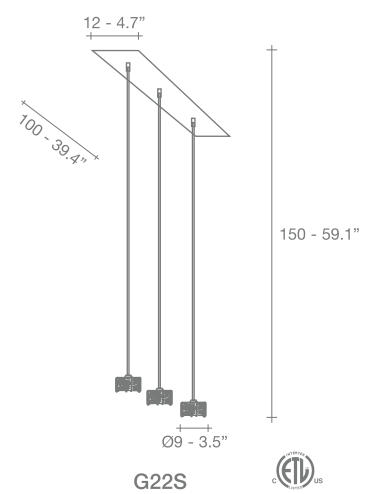
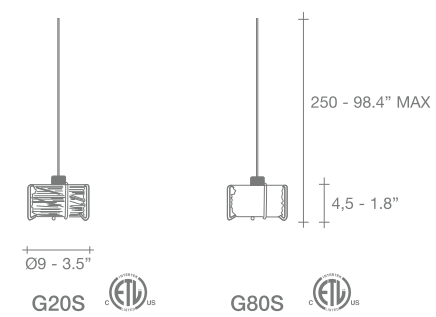
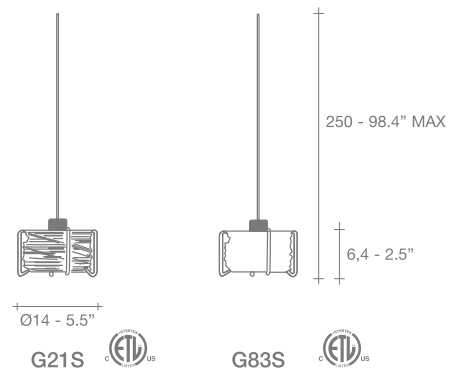
XENON
BI-PIN 12V
T3
12X20W G4



Bobino, a Hidden *Illumination.*

The wire-wrapped frame of Bobino encases a simple, clean spotlight, perfect for showcasing a special object or area. Created with over 16 meters of metal wire, this compact design belies an elegant complexity. While perfect in a commercial setting, Bobino's design is equally effective in residential applications. Also available in clear glass. Design Jean François Crochet.





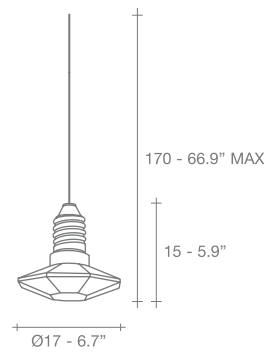
230V	G21S HALOGEN 50W GZ10	G83S HALOGEN ES 48W G9 (=60W)	G20S HALOGEN 12V 35MM 35W GU4	G80S HALOGEN ES 12V 25W GY6,35 (=35W)	G22S HALOGEN 12V 35MM 3X35W GU 5,3
	G21S HALOGEN MR16 50W GU10	G83S HALOGEN JCD 35W G9	G20S HALOGEN BI-PIN 12V MR11 35W GU4	G80S XENON BI-PIN 12V T5 35W GY6.35	G22S HALOGEN BI-PIN 12V MR11 3X35W GU4



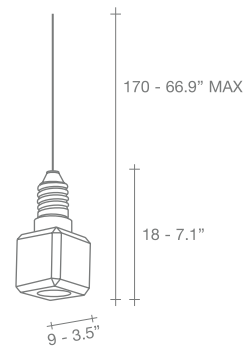
Krystal-Diam, More than meets *the Eye.*

At first glance, the Krystal-Diam series provides a whimsical take on traditional forms, its crystal (24% lead) diamond, emerald and cube shapes are attached by a familiar light bulb fixture. However, once you turn on a Krystal-Diam light, the clear crystal shape refracts light in a beautiful, intricate pattern. The Krystal-Diam series is a fun, elegant way to create dramatic light. Design Jean François Crochet.

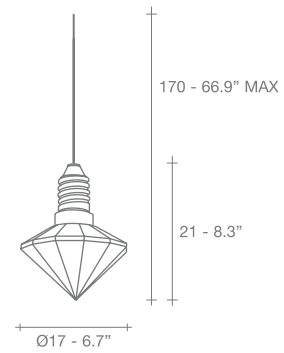




H91S



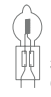

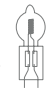
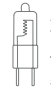

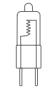
H90S



H92S



CHROME FINISH
CLEAR CRYSTAL

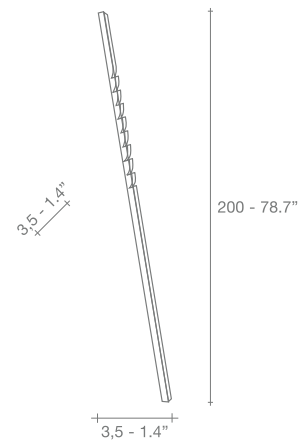
	H91S	H90S	H92S
230V	 HALOGEN ES 12V 35W GY6,35 (=50W)	 HALOGEN ES 12V 35W GY6,35 (=50W)	 HALOGEN ES 12V 35W GY6,35 (=50W)
120V	 XENON BI-PIN 12V T5 50W GY6.35	 XENON BI-PIN 12V T5 50W GY6.35	 XENON BI-PIN 12V T5 50W GY6.35



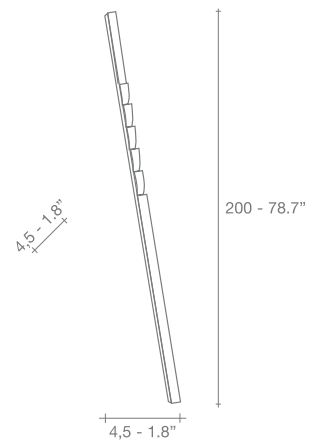
Zig-Zag, Easy *Sophistication.*

Either alone or a group, Zig-Zag is a truly unique way to add light to any space. Intended to lean nonchalantly against a wall, the soft glow from the notched, Zig-Zag openings creates a comfortable ambience while adding a distinctly progressive design element. Zig-Zag complements rooms with high ceilings while opening up smaller spaces. Design Jean François Crochet.





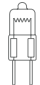
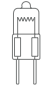
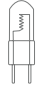

H20A

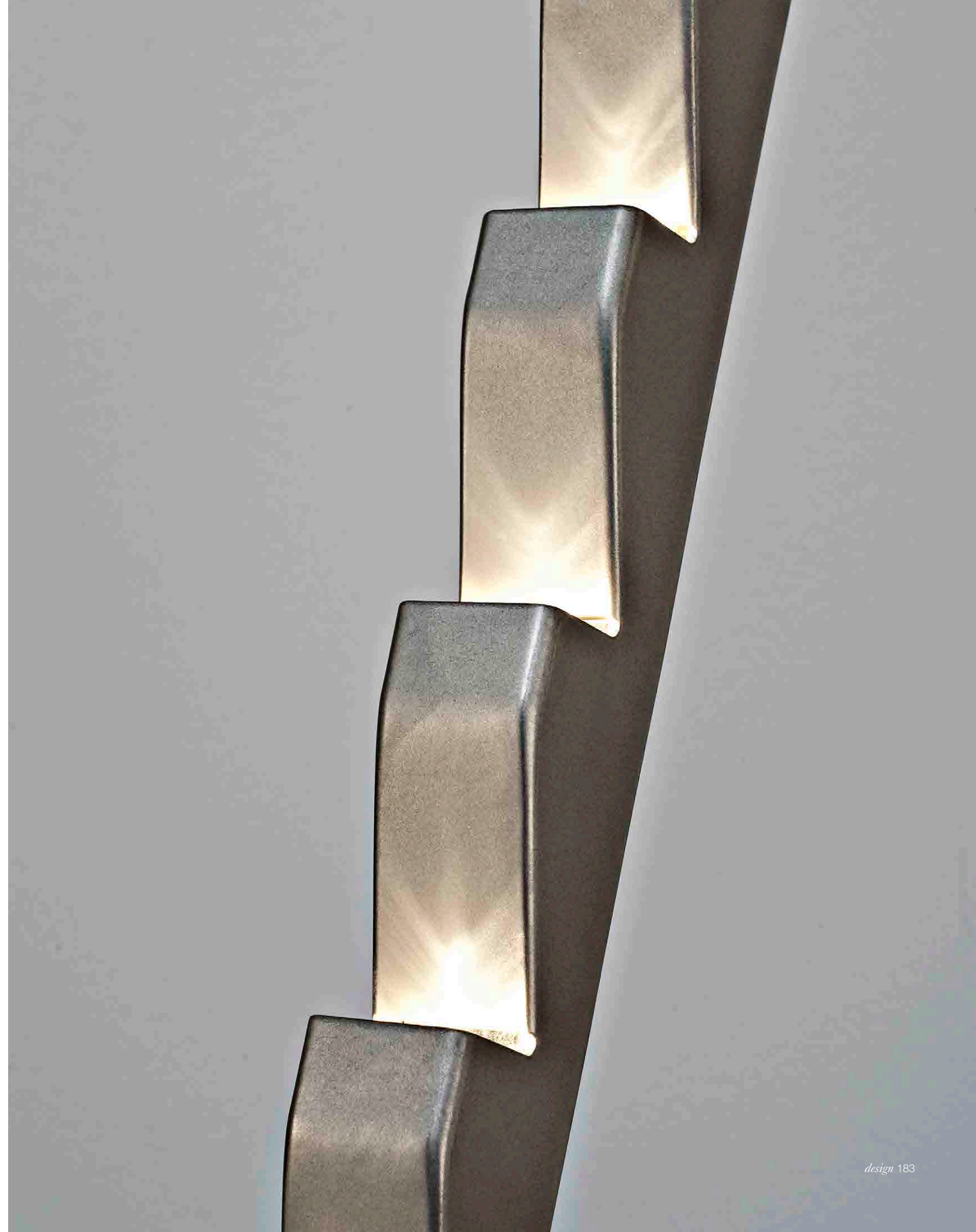


H21A



SATIN NICKEL

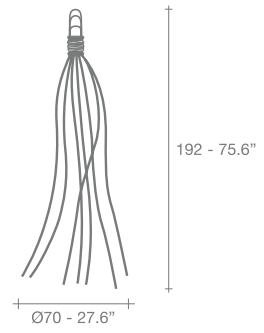
	H20A	H21A
230V	 HALOGEN 12V 9x5W	 HALOGEN 12V 6x10W
120V	 XENON BI-PIN 12V T3 9x5W G4	 XENON BI-PIN 12V T3 6x10W G4



Hugo, a Welcome *Guest.*

Some designs are strong enough to stand alone. These are the pieces that transform spaces and inspire viewers. Hugo, a unique sculpture created by Terzani's master craftsmen, is composed of hand-forged metal stems, encasing a single light. With a graceful, delicate form, Hugo is a welcome guest in any space, intriguing and powerful. Design Jean François Crochet.





D20P



SATIN NICKEL

230V
D20P
HALOGEN
ES
105W E27
(=150W)

120V
HALOGEN
ECO A19
72W E26
(=100W)





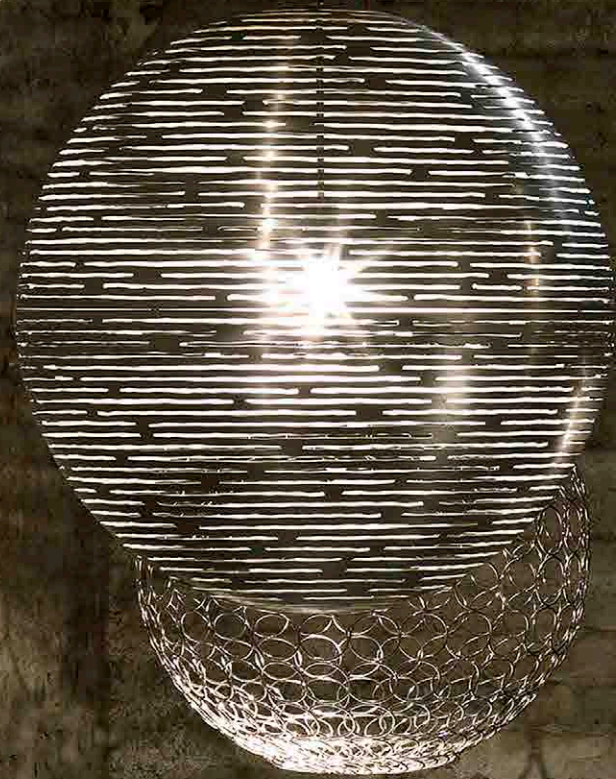
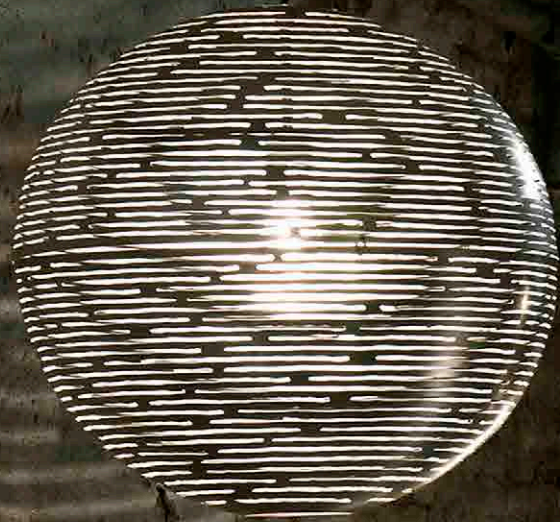
Art and Crafts

Terzani has a tradition deeply rooted in Italian craftsmanship. From shaping precious metals to painstakingly constructing every piece, our master craftsmen give attention to every design, resulting in unparalleled quality and a distinct aesthetic.









TERZANI
LA LUCE PENSATA

All products in Terzani collections are inspired by a return to noble artisan traditions. Every object is carefully created using craft techniques and for this reason certain details may vary from product to product. These variations are not imperfections but characteristic peculiarities of the production process. Terzani reserves the right to modify its products in order to improve its features. The reproduction on paper of products may result in a misrepresentation of some colors. Measurements are in cm and inches. Wattage and light bulbs are suggested. For updated technical data please refer to our current price list or our website. For updates on etl please visit our website or call our customer service. All products are certified. For etl listed products please refer to our technical specs. etl certification may be available on request when not listed.

Terzani srl

Via Castelpulci Int.9 - 50018
Scandicci (Firenze) Italy
T +39 055 722021
F +39 055 7311161
N.Verde 800-018575
terzani@terzani.com

Terzani Usa, Inc.

11470 Interchange
Circle North
Miramar, FL 33025
T 954-438 7779 F 954-438
7566
Toll free1 (866) 380-5412
terzaniusa@terzani.com

Creative direction Terzani
Photos Leonardo Beglieri
Art direction Camilla Cordella
Artwork Terzani
Digital imaging Art And Pixel
Eu (Italy) 2013

terzani.com

© terzani 2013







TERZANI
LA LUCE PENSATA

TERZANI.COM